

US008368035B2

(12) **United States Patent**  
**Seibel et al.**

(10) **Patent No.:** **US 8,368,035 B2**  
(45) **Date of Patent:** **Feb. 5, 2013**

(54) **3D IMAGING OF LIVE CELLS WITH ULTRAVIOLET RADIATION**

(75) Inventors: **Eric J. Seibel**, Seattle, WA (US); **Alan C. Nelson**, Phoenix, AZ (US); **Mark E. Fauver**, Seattle, WA (US); **J. Richard Rahn**, Sammamish, WA (US)

(73) Assignee: **Visiagate Inc.**, Phoenix, AZ (US)

(\*) Notice: Subject to any disclaimer, the term of this patent is extended or adjusted under 35 U.S.C. 154(b) by 0 days.

(21) Appl. No.: **13/402,149**

(22) Filed: **Feb. 22, 2012**

(65) **Prior Publication Data**  
US 2012/0145926 A1 Jun. 14, 2012

**Related U.S. Application Data**

(62) Division of application No. 12/032,959, filed on Feb. 18, 2008, now Pat. No. 8,143,600.

(51) **Int. Cl.**  
**G01N 21/64** (2006.01)

(52) **U.S. Cl.** ..... **250/461.2**

(58) **Field of Classification Search** ..... 250/458.1,  
250/459.1, 461.1, 461.2  
See application file for complete search history.

(56) **References Cited**

**U.S. PATENT DOCUMENTS**

3,470,373 A	9/1969	Brewer
3,497,690 A	2/1970	Wheless, Jr.
3,598,471 A	8/1971	Baldwin
3,657,537 A	4/1972	Wheless, Jr.
3,960,449 A	6/1976	Carlton
3,999,047 A	12/1976	Green
4,183,623 A	1/1980	Haines
4,293,221 A	10/1981	Kay

4,360,885 A	11/1982	Edgar
4,702,598 A	10/1987	Bohmer
4,786,165 A	11/1988	Yamamoto
4,858,128 A	8/1989	Nowak
4,873,653 A	10/1989	Grosskopf
5,034,613 A	7/1991	Denk
5,117,466 A	5/1992	Buican
5,125,737 A	6/1992	Rodriguez et al.
5,141,609 A	8/1992	Sweedler
5,159,398 A	10/1992	Maikawa et al.
5,281,517 A	1/1994	Bacus

(Continued)

**FOREIGN PATENT DOCUMENTS**

JP	02085747 A	3/1990
JP	10260131 A	9/1998

(Continued)

**OTHER PUBLICATIONS**

Oldham et al., "Three-dimensional imaging of whole rodent organs using optical computed and emission tomography," 2007, Journal of Biomedical Optics, vol. 12, No. 1, pp. 014009-1 to 014009-10.\*

(Continued)

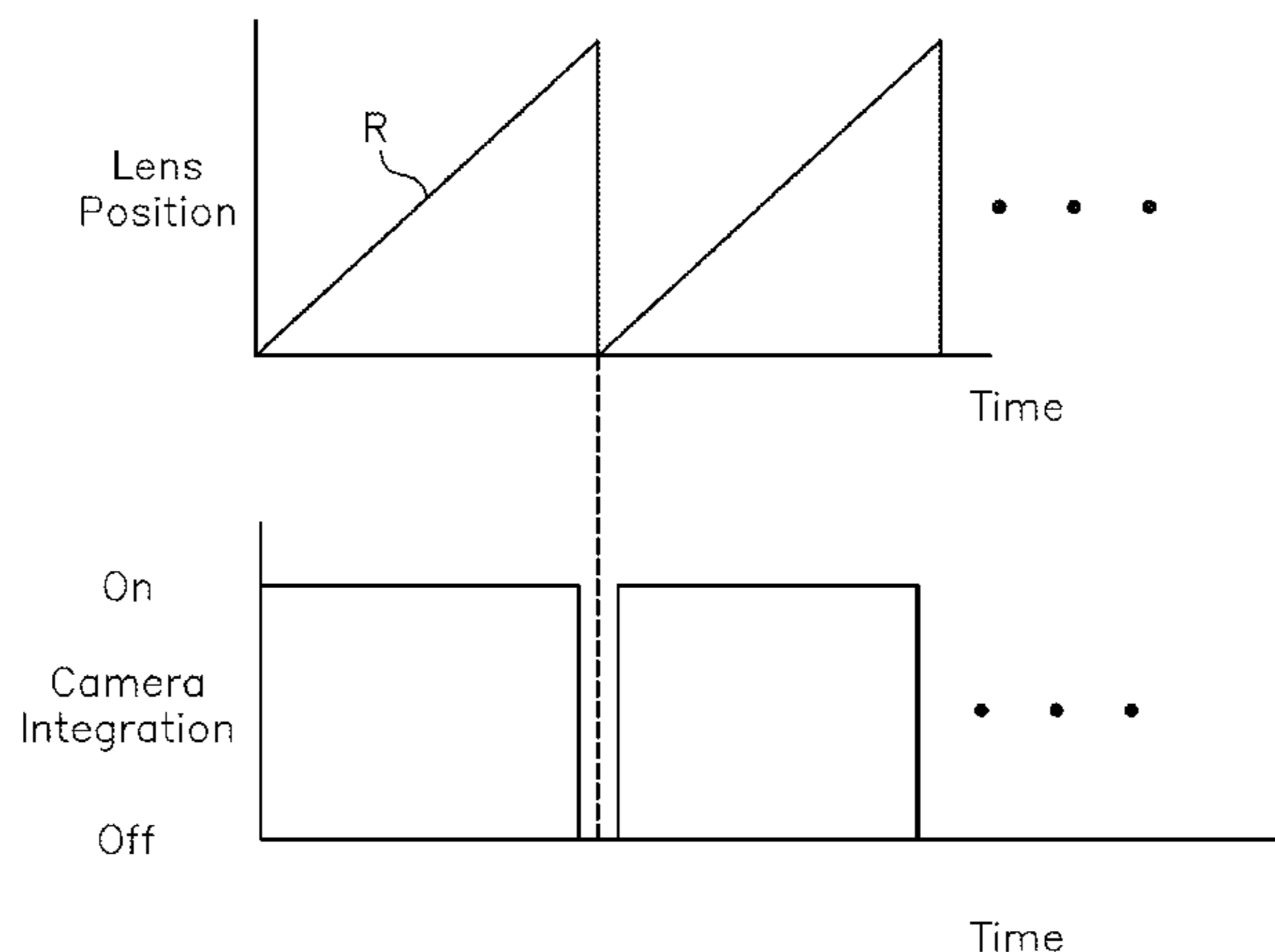
*Primary Examiner* — Kiho Kim

(74) *Attorney, Agent, or Firm* — George A. Leone; Citadel Patent Law

(57) **ABSTRACT**

A method for 3D imaging of cells in an optical tomography system includes moving a biological object relatively to a microscope objective to present varying angles of view. The biological object is illuminated with radiation having a spectral bandwidth limited to wavelengths between 150 nm and 390 nm. Radiation transmitted through the biological object and the microscope objective is sensed with a camera from a plurality of differing view angles. A plurality of pseudoprojections of the biological object from the sensed radiation is formed and the plurality of pseudoprojections is reconstructed to form a 3D image of the cell.

**63 Claims, 8 Drawing Sheets**



U.S. PATENT DOCUMENTS

5,308,990 A 5/1994 Takahashi  
 5,312,535 A 5/1994 Wasaka et al.  
 5,332,905 A \* 7/1994 Brooker et al. .... 250/458.1  
 5,333,164 A 7/1994 Tam  
 5,390,023 A \* 2/1995 Biegen ..... 356/497  
 5,390,226 A 2/1995 Tam  
 5,402,460 A 3/1995 Johnson et al.  
 5,428,447 A \* 6/1995 Toida ..... 356/601  
 5,539,800 A 7/1996 Katsevich  
 5,548,395 A 8/1996 Kosaka  
 5,552,605 A 9/1996 Arata  
 5,644,388 A 7/1997 Maekawa et al.  
 5,680,484 A 10/1997 Ohyama  
 5,710,429 A 1/1998 Alfano  
 5,741,411 A 4/1998 Yeung  
 5,760,901 A 6/1998 Hill  
 5,760,951 A 6/1998 Dixon  
 5,831,723 A 11/1998 Kubota  
 5,835,617 A 11/1998 Ohta et al.  
 5,880,838 A 3/1999 Marx et al.  
 5,936,731 A \* 8/1999 Cabib et al. .... 356/456  
 6,026,174 A 2/2000 Palcic  
 6,037,579 A 3/2000 Chan et al.  
 6,038,067 A 3/2000 George  
 6,072,624 A 6/2000 Dixon et al.  
 6,078,681 A 6/2000 Silver  
 6,091,983 A 7/2000 Alfano et al.  
 6,130,958 A 10/2000 Rohler et al.  
 6,177,277 B1 1/2001 Soini  
 6,201,628 B1 3/2001 Basiji  
 6,211,955 B1 4/2001 Basiji  
 6,215,587 B1 4/2001 Alfano et al.  
 6,239,871 B1 5/2001 Gilby  
 6,248,988 B1 6/2001 Krantz  
 6,249,341 B1 6/2001 Basiji et al.  
 6,251,586 B1 6/2001 Mulshine  
 6,251,615 B1 6/2001 Oberhardt  
 6,291,824 B1 9/2001 Battarbee  
 6,312,914 B1 11/2001 Kardos et al.  
 6,365,367 B1 4/2002 Friedman et al.  
 6,473,176 B2 10/2002 Basiji  
 6,519,355 B2 2/2003 Nelson  
 6,522,775 B2 2/2003 Nelson et al.  
 6,529,614 B1 3/2003 Chao  
 6,540,895 B1 4/2003 Spence  
 6,591,003 B2 7/2003 Chu et al.  
 6,608,682 B2 8/2003 Ortyn et al.  
 6,624,930 B1 9/2003 Danner et al.  
 6,636,623 B2 10/2003 Nelson et al.  
 6,640,014 B1 10/2003 Price  
 6,697,508 B2 2/2004 Nelson  
 6,741,730 B2 5/2004 Rahn et al.  
 6,770,893 B2 8/2004 Nelson  
 6,775,399 B1 8/2004 Jiang  
 6,842,297 B2 1/2005 Dowski, Jr.  
 6,850,587 B1 2/2005 Karimi  
 6,944,322 B2 9/2005 Johnson et al.  
 6,975,400 B2 12/2005 Ortyn et al.  
 7,003,143 B1 2/2006 Hewitt  
 7,075,647 B2 7/2006 Christodoulou  
 7,141,773 B2 11/2006 Kaplan et al.  
 7,197,355 B2 3/2007 Nelson  
 7,218,393 B2 5/2007 Sharpe et al.  
 7,224,540 B2 5/2007 Olmstead et al.  
 7,260,253 B2 8/2007 Rahn et al.  
 7,274,809 B2 9/2007 Macaulay et al.  
 2002/0122167 A1 9/2002 Riley et al.  
 2003/0063384 A1 4/2003 Dowski, Jr.  
 2003/0211533 A1 \* 11/2003 Koishi et al. .... 435/6  
 2003/0222197 A1 12/2003 Reese  
 2004/0008515 A1 1/2004 Brown  
 2004/0036875 A1 2/2004 Kramer  
 2004/0076319 A1 \* 4/2004 Fauver et al. .... 382/133  
 2004/0184648 A1 9/2004 Zhang et al.  
 2004/0228520 A1 11/2004 Dresser  
 2005/0006595 A1 1/2005 Goodwin et al.  
 2005/0085708 A1 4/2005 Fauver et al.  
 2005/0085721 A1 4/2005 Fauver et al.

2006/0023219 A1 2/2006 Meyer et al.  
 2006/0066837 A1 3/2006 Ortyn et al.  
 2006/0068371 A1 3/2006 Ortyn et al.  
 2006/0093200 A1 5/2006 Sharpe  
 2006/0132790 A1 6/2006 Gutin  
 2006/0171041 A1 8/2006 Olmstead et al.  
 2006/0188869 A1 8/2006 Zeskind et al.  
 2007/0146873 A1 6/2007 Ortyn et al.  
 2007/0215528 A1 9/2007 Hayenga et al.  
 2007/0258122 A1 11/2007 Chamgoulov et al.  
 2007/0282015 A1 \* 12/2007 Albert ..... 514/789  
 2008/0020379 A1 \* 1/2008 Agan et al. .... 435/6  
 2009/0005676 A1 1/2009 Koenig et al.  
 2009/0053247 A1 \* 2/2009 Deonarain et al. .... 424/178.1  
 2009/0296744 A1 \* 12/2009 Dantus et al. .... 372/5

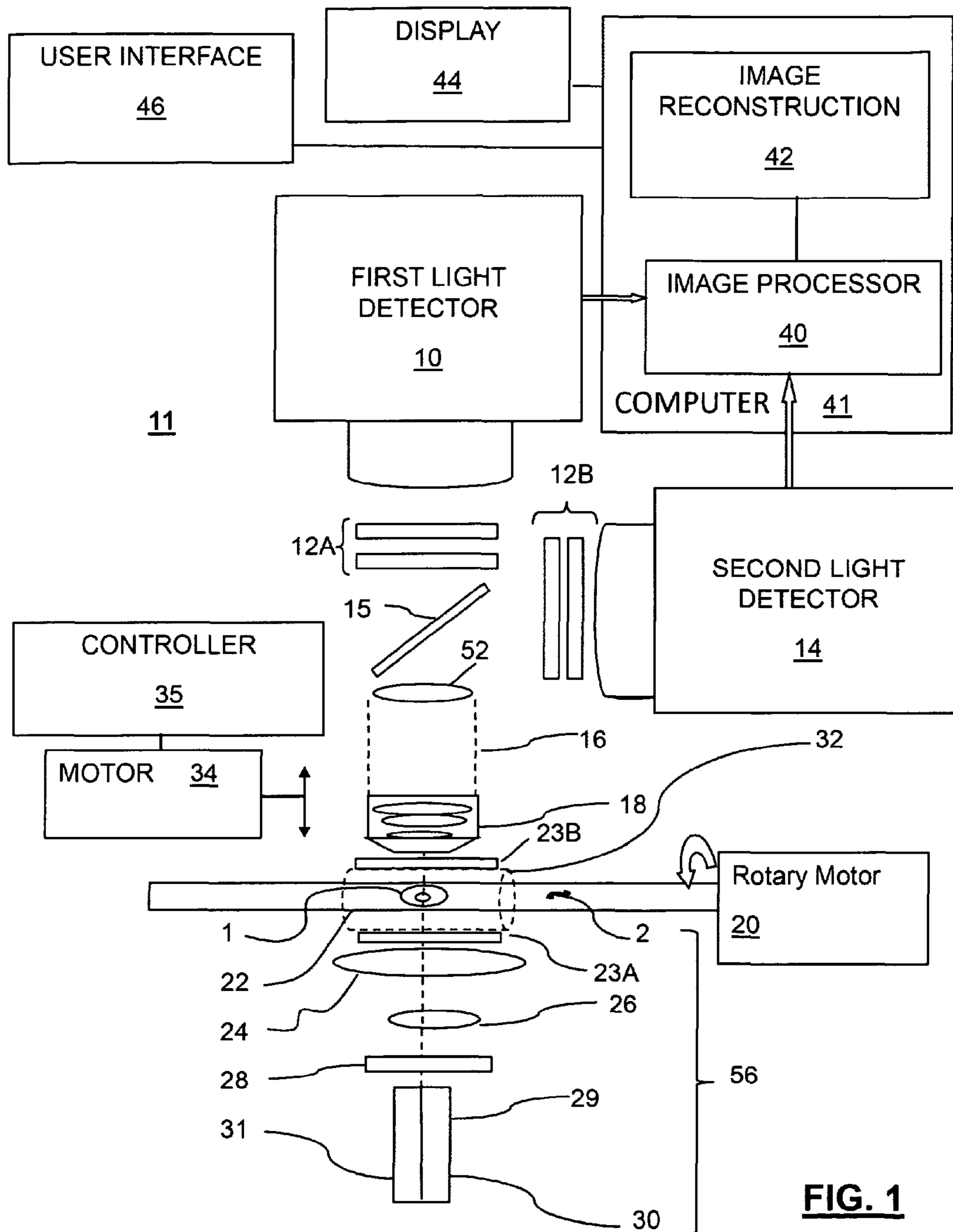
FOREIGN PATENT DOCUMENTS

JP 2000121550 A 4/2000  
 WO WO0235474 A1 5/2002

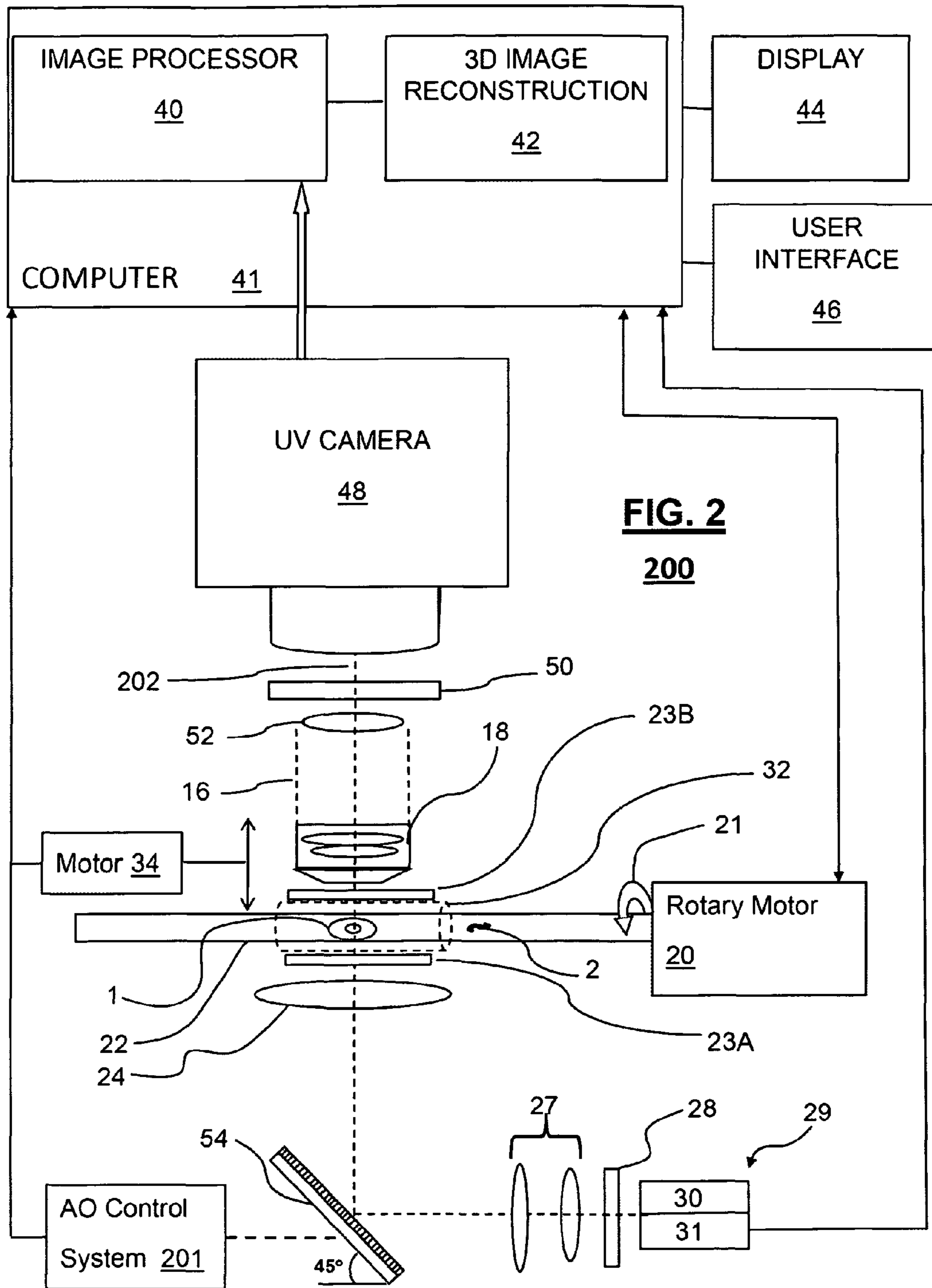
OTHER PUBLICATIONS

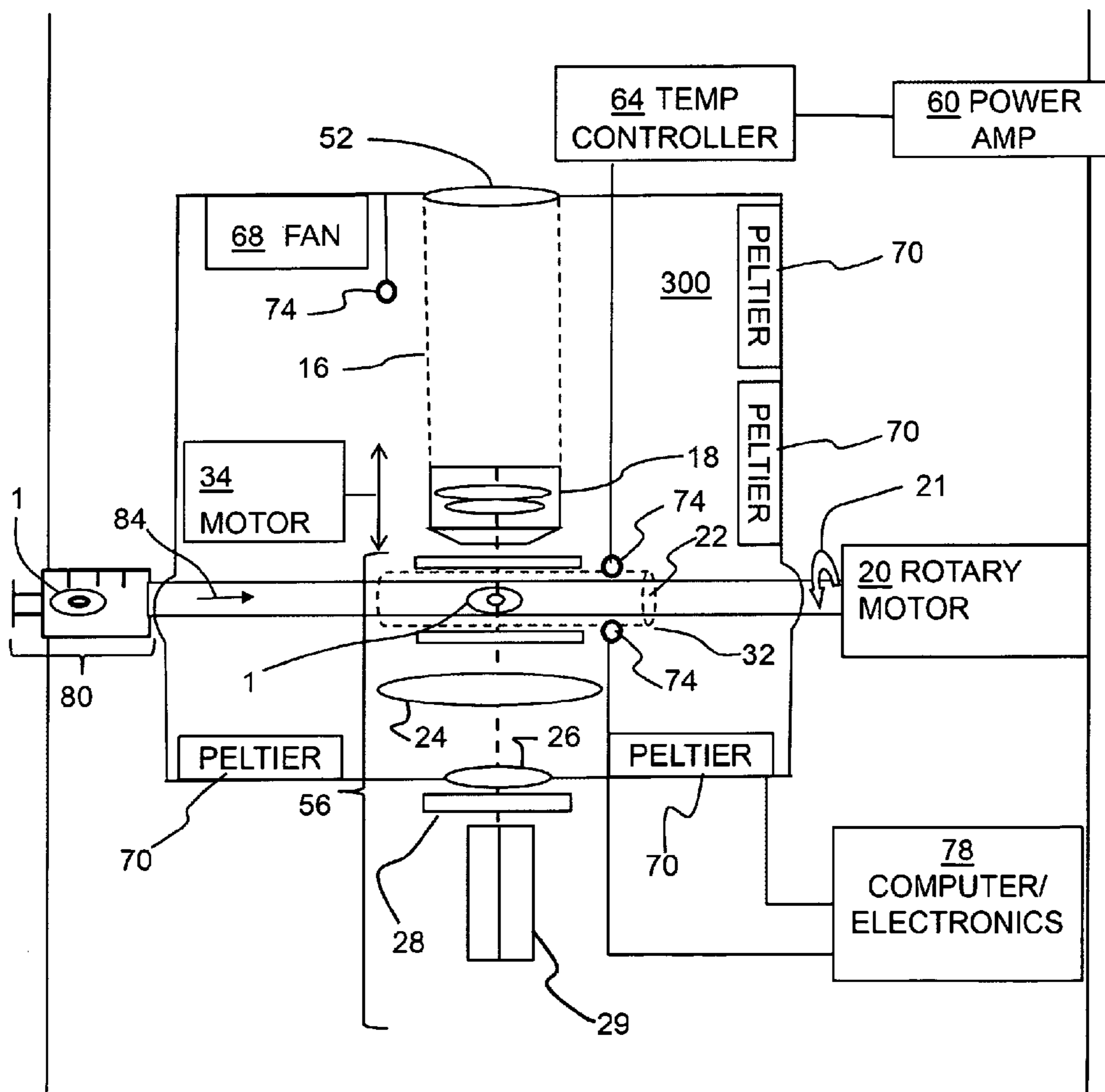
King, M. C. and D. H. Berry, D. H., A Depth Scanning Microscope, Applied Optics, vol. 10, No. 1, Jan. 1971, pp. 208-210.  
 Bellman, S. H. et al., "ART is Science being a Defense of Algebraic Reconstruction Techniques for Three dimensional Electron Microscopy," Journal of Theoretical Biology 32 pp. 205-216, 1971.  
 Gilbert, P., Iterative Methods for the Three dimensional Reconstruction of an Object from Projections, Journal of Theoretical Biology 36 pp. 105-117, 1972.  
 Oppenheim, B. E., More Accurate Algorithms for Iterative 3 dimensional Reconstruction, IEEE Transactions on Nuclear Science NS-21 pp. 72-77, 1974.  
 Klug, A., Image analysis and reconstruction in the electron microscopy of biological macromolecules, Chem. Scripta, vol. 14, p. 245, 1979.  
 Almeida, et al., Fourier transform differences and averaged similarities in diatoms, Applied Optics, vol. 18 No. 10 pp. 1663-1667 (1979).  
 Miles, C.P. et al., "The Use of Optical Fourier Transforms to Diagnose Pleomorphism, Size and Chromatin Clumping in Nuclear Models," Anal Quant Cytol Histol vol. 3 No. 2 pp. 149-156 1981.  
 Dziejdz-Goclawska, et al., "Application of the Optical Fourier Transform for Analysis of the Spatial Distribution of Collagen Fibers in Normal and Osteopetrotic Bone Tissue," Histochemistry (1982) 74:123-137.  
 Pieper, R.J. And Korpel A., Image processing for extended depth of field, Applied Optics, vol. 22, No. 10, May 15, pp. 1449-1453, 1983.  
 Ong, S. H., Development of an imaging flow cytometer. Anal Quant Cytol Histol 9(5)pp. 375-382, 1987.  
 Steward, E. G., Fourier Optics: An Introduction, 2nd ed. (Halsted Press, New York), 1987.  
 Kak, A.C. and Slaney, M., Principles of Computerized Tomographic Imaging, IEEE Press, (New York), 1988.  
 Press, W.H. et al., Numerical Recipes in C (New York: Cambridge University Press), 1988.  
 Kinney, J. H., "Energy-modulated X-ray Microtomography", Rev. Sci. Instrum. 59(1)pp. 196-197, 1988.  
 Manglos, S. H. et al., Maximum Likelihood Reconstruction for Cone Beam SPECT: Development and Initial Tests, Physics in Medicine and Biology 34(12)pp. 1947-1957, #1382, , 1989.  
 Singer, J. R. et al., Image Reconstruction of the Interior of Bodies that Diffuse Radiation, Science 248(4958) pp. 990-993, , 1990.  
 Kinney, J. H., "X-ray Tomographic Microscopy (XTM) Using Synchrotron Radiation", Annu. Rev. Mater. Sci. 22 pp. 121-152, , 1992.  
 Cheng, P. C., Review on the Development of Cone-beam X-ray Microtomography, Proceedings of the X-ray Optics and Microanalysis, Institute of Physics Ser. No. 130, Kenway, PB, et al. (eds.), Manchester, UK, Aug. 31-Sep. 4, pp. 559-566, , 1992.  
 Kikuchi, S., "Three-dimensional computed tomography for optical microscopes," Optics Communications 107, 432-444, , 1994.  
 Tiziani, H. J. et al., Three-dimensional analysis by a microlens array confocal arrangements (Applied Optics 33, 567), 1994.

- Paulsen, K. D., Spatially Varying Optical Property Reconstruction Using a Finite Element Diffusion Equation Approximation, *Medical Physics* 22(691-701), 1995.
- Shapiro, H. M., *Practical Flow Cytometry*, 3rd ed., Wiley-Liss, 1995.
- Pawley, J. B., *Handbook of Biological Confocal Microscopy*, Plenum Press, NY 479-490, 1995.
- Wedberg, T.C., "Recent results in optical diffraction microtomography," *Meas. Sci. Technol.*, vol. 7, p. 414, , 1996.
- Kikuchi, S. et al., "Three-dimensional microscope computed tomography based on general Radon transform for optical imaging systems," *Optics Communications* 123 (1996) 725-733, 1996.
- Bradburn S. et al., Realizations of Focus Invariance in Optical/Digital Systems with Wavefront Coding, *Applied Optics*, vol. 36, Issue 35, pp. 9157-9166, 1997.
- Sheppard, C. J. R. & Torok, P., Effects of specimen refractive index on confocal imaging, *Journal of Microscopy*, vol. 185, Pt. 3, Mar. 1997, pp. 366-374.
- Jorgensen, S. M., "Three Dimensional Imaging of Vasculature and Parenchyma in Intact Rodent Organs with X-ray Micro-CT", *Am. J. Physiology* 275(Heart Circ. Physiol. 44) pp. H1103-H1114, 1998.
- Taguchi, K. and Aradate, H., "Algorithm for Image Reconstruction in Multi-slice Helical CT", *Medical Physics* 25(4) pp. 550-561, 1998.
- Hampel, U and Freyer, R., Fast Image Reconstruction for Optical Absorption Tomography in Media with Radially Symmetric Boundaries, *Medical Physics* 25 (1)pp. 92-101, 1998.
- Tucker, S.C. et al., Extended depth of field and aberration control for inexpensive digital microscope systems, *Optics Express*, vol. 4, No. 11, May 24, pp. 467-474, 1999.
- Edelmann, P. et al., Correlation of chromatic shifts and focal depth in Spectral Precision Distance Microscopy measured by Micro Axial Tomography, *Optical Biopsies and Microscopic Techniques III*, Sep. 1999, SPIE vol. 3568, pp. 89-95, 1999.
- Marks D. L. et al., Three-dimensional tomography using a cubic-phase plate extended depth-of-field system, *Optics Letters*, Vol. 24, No. 4, Feb. 15, 1999.
- George, JS et al., Virtual Pinhole Confocal Microscope, Physics Division Progress Report, [www.lanl.gov/p/pdfs/papp\\_pinhole.pdf](http://www.lanl.gov/p/pdfs/papp_pinhole.pdf), 1999-2000.
- Defrise, M. et al., A Solution to the Long-object Problem in Helical Cone-beam Tomography, *Physics in Medicine and Biology* 45(623-43), 2000.
- Sanyal, S. and Ghosh, A., High focal depth with a quasi-bifocus birefringent lens, *Applied Optics*, vol. 39, No. 14, May 10, pp. 2321-2325, 2000.
- Mueller, K. and Yage, R., Rapid 3-D Cone-beam Reconstruction with the Simultaneous Algebraic Reconstruction Technique (SART) Using 2-D Texture Mapping Hardware, *IEEE Transactions on Medical Imaging* 19(12)pp. 1227-1237, 2000.
- Endo, M. et al., Effect of Scattered Radiation on Image Noise in Cone Beam CT, *Medical Physics* 28(4) (469-474), 2001.
- Chang et al., Enhanced live cell membrane imaging using surface plasmon-enhanced total internal reflection fluorescence microscopy, *Optics Express* 9308, vol. 14, No. 20, Oct. 2, 2006.
- Conchello, J-A., and Dressler, D. E., Extended depth-of-focus microscopy via constrained deconvolution, *Journal of Biomedical Optics* 12(6), 064026, Nov./Dec. 2007.
- Darrell, A. et al., Accounting for Point Source Propagation Properties in 3D Fluorescence OPT, *Proceedings of the 28th IEEE, EMBS Annual International Conference, New York City, USA, Aug. 30-Sep. 3, 2006*.
- Zeskind, B.J., et al., Nucleic acid and protein mass mapping by live-cell deepultraviolet, *Nature Methods*, published online, 4, 567-569, Jun. 3, 2007; DOI:101038/NMETH1053.
- Zeskind, B.J., et al., Nucleic acid and protein mass mapping by live-cell deepultraviolet, *Nature Methods*, published online, 4, 567-569, Jun. 3, 2007; DOI:101038/NMETH1053 (Supplementary Figures and Text).
- Preza, C. et al., Transmitted-Light DIC Microscopy, Presented at SPIE's BiOS97; 3D Microscopy: Image Acquisition and Processing IV, 2984-24, 1997.
- Zhang, J. et al., Membrane Electric Properties by Combined Patch Clamp and Fluorescence Ratio Imaging in Single Neurons, *Biophysical Journal* vol. 74 Jan. 1998 48-53.
- Curry, A., et al., Epi-illumination through the microscope objective applied to darkfield imaging and microspectroscopy of nanoparticle, *Jul. 10, 2006, vol. 14, No. 14, Optics Express* 6535.
- Fauver et al., Development of Micro-Optical Projection Tomography for 3D Analysis of Single Cells, *Image Acquisition and Processing XI*. Edited by Conchello, Jose-Angel; Cogswell, Carol J.; Wilson, Tony. *Proceedings of the SPIE*, vol. 5324, pp. 171-181, 2004.
- Fauver et al., Three-dimensional imaging of single isolated cell nuclei using optical projection tomography, *Optics Express*, May 30, 2005/vol. 13 No. 11/4210-4223.
- Suiter, H.R., Apodization for Obstructed Apertures, [home.digitalexp.com](http://home.digitalexp.com), 2001.
- Herzenberg, L. A., *The History and Future of the Fluorescence Activated Cell Sorter and Flow Cytometry: A View from Stanford*, 2002.
- Sharpe, J. et al., "Optical Projection Tomography as a Tool for 3D Microscopy and Gene Expression Studies," *Science*, vol. 296, pp. 541-545, Apr. 19, 2002.
- Xu, Y. et al., Three-dimensional diffuse optical tomography of bones and joints, *J. Biomed. Optics*, vol. 7, p. 88, 2002.
- Widjanarko, T., et al., A post-processing technique for extending depth of focus in conventional optical microscopy, *Optics & Laser Technology* 34, pp. 299-305, 2002.
- Bentley, M. D., The Use of Microcomputed Tomography to Study Microvasculature in Small Rodents, *American Journal of Physiology (Regulatory Integrative Comp Physiol)* 282(R1267-R1279), 2002.
- Martini, N. et al., A new high-aperture glycerol immersion objective lens and its application to 3D-fluorescence microscopy, *Journal of Microscopy* vol. 206 Pt. 2, May 2002, pp. 146-151, 2002.
- Matula, P. et al., "Precise 3D image alignment in micro-axial tomography," *Journal of Microscopy*, vol. 209, Pt. 2 Feb. 2003 pp. 126-142, , 2003.
- Sharpe, J. et al., Review, "Optical Projection Tomography as a New Tool for Studying Embryo Anatomy," *J. Anat.* (2003), pp. 175-181, , 2003.
- Lane, P.M. et al., Confocal Microendoscopy with Chromatic Sectioning, *Spectral Imaging: Instrumentation, Applications, and Analysis II*, *Proc. of SPIE* vol. 4959 pp. 23-26, 2003.
- Porras, R. et al., Wavefront coding technology in the optical design of astronomical instruments, *5th Iberoamerican Meeting on Optics and 8th Latin American Meeting on Optics, Lasers, and Their Applications*, edited by A. Marcano O., J. L. Paz, *Proc. of SPIE* vol. 5622, pp. 796-800, 2004.
- Forster, B. et al., Complex Wavelets for Extended Depth-of-Field: A New Method for the Fusion of Multichannel Microscopy Images, *Microscopy Research and Technique* 65:33-42, 2004.
- Gao X., et al., Tunable focal depth of an apodized focusing optical system, *Optical Engineering* 44(6), 063001, Jun. 1-9, 2005.
- Miks, A. et al., Theory of hyperchromats with linear longitudinal chromatic, aberration, *Proc. of SPIE*, vol. 5945, pp. 59450, Y1-Y8, 2005.
- Abragamsson, S. et al., A new approach to extended focus for high-speed, high-resolution biological microscopy, *Proc. of SPIE* vol. 60900, N1-N8, 2006.
- Leitgeb, R. et al., Extended focus depth for Fourier domain optical coherence microscopy, *Optics Letters*, Doc. ID 69650, Jun. 1, 2006.
- Somayaji, M. et al., Enhancing form factor and light collection of multiplex imaging systems by using a cubic phase mask, *Applied Optics*, vol. 45, No. 13, May 1, 2006, pp. 2911-2923.
- Mikula, G. et al., Imaging with extended focal depth by means of lenses with radial and angular modulation, *Optics Express*, vol. 15, No. 15, Jul. 23, 2007, pp. 9184-9193.
- Kerfoot, et al., Christopher A., and Dauffenbach, Lisa M., *Quantitative Multiplex Chromagenic Immunohistochemistry*, Mosaic Laboratories, [www.mosaiclabs.com](http://www.mosaiclabs.com), Tuscon Symposium, 2007.
- Xu, Y. et al., Ultra long high resolution beam by multi-zone rotationally symmetrical complex pupil filter, *Optics Express*, vol. 15, No. 10, May 10, 2007, pp. 6409-6413.
- Long, J.C. et al., Tube Lens Focal Length, *Nikon Microscopy U: Interactive Java Tutorials*, <http://www.microscopy.com>, 2007.

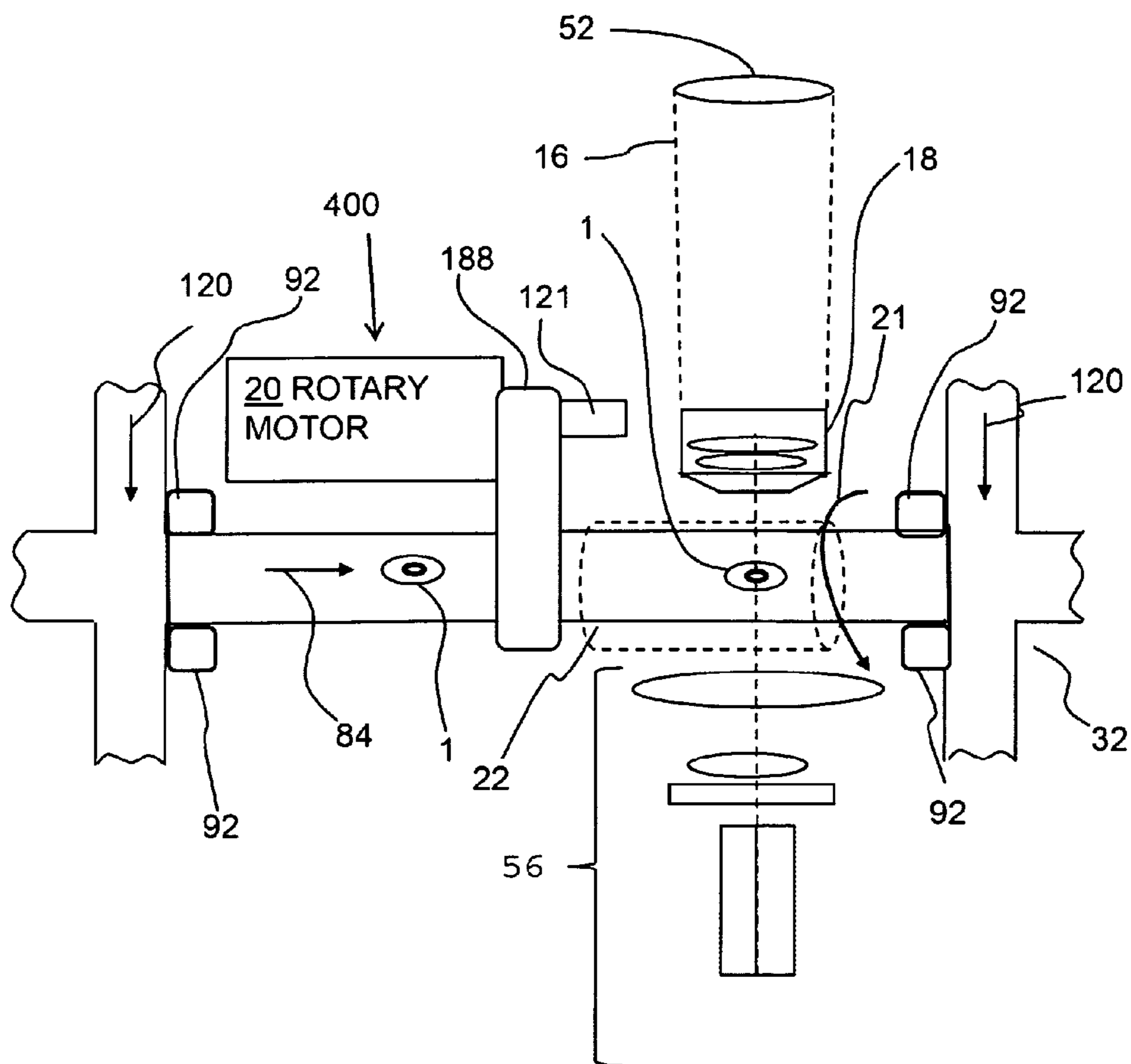


**FIG. 1**

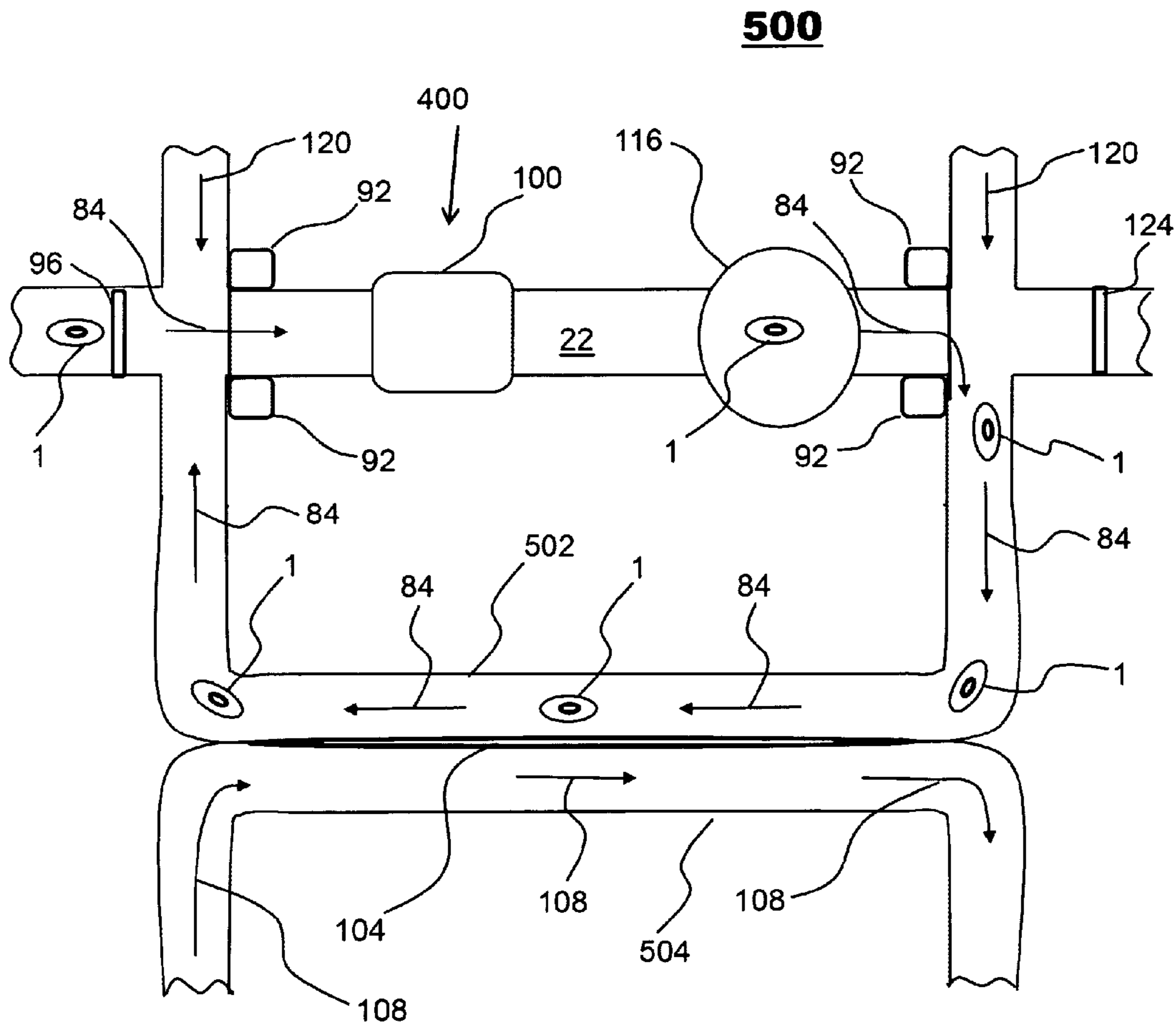




**FIG. 3**

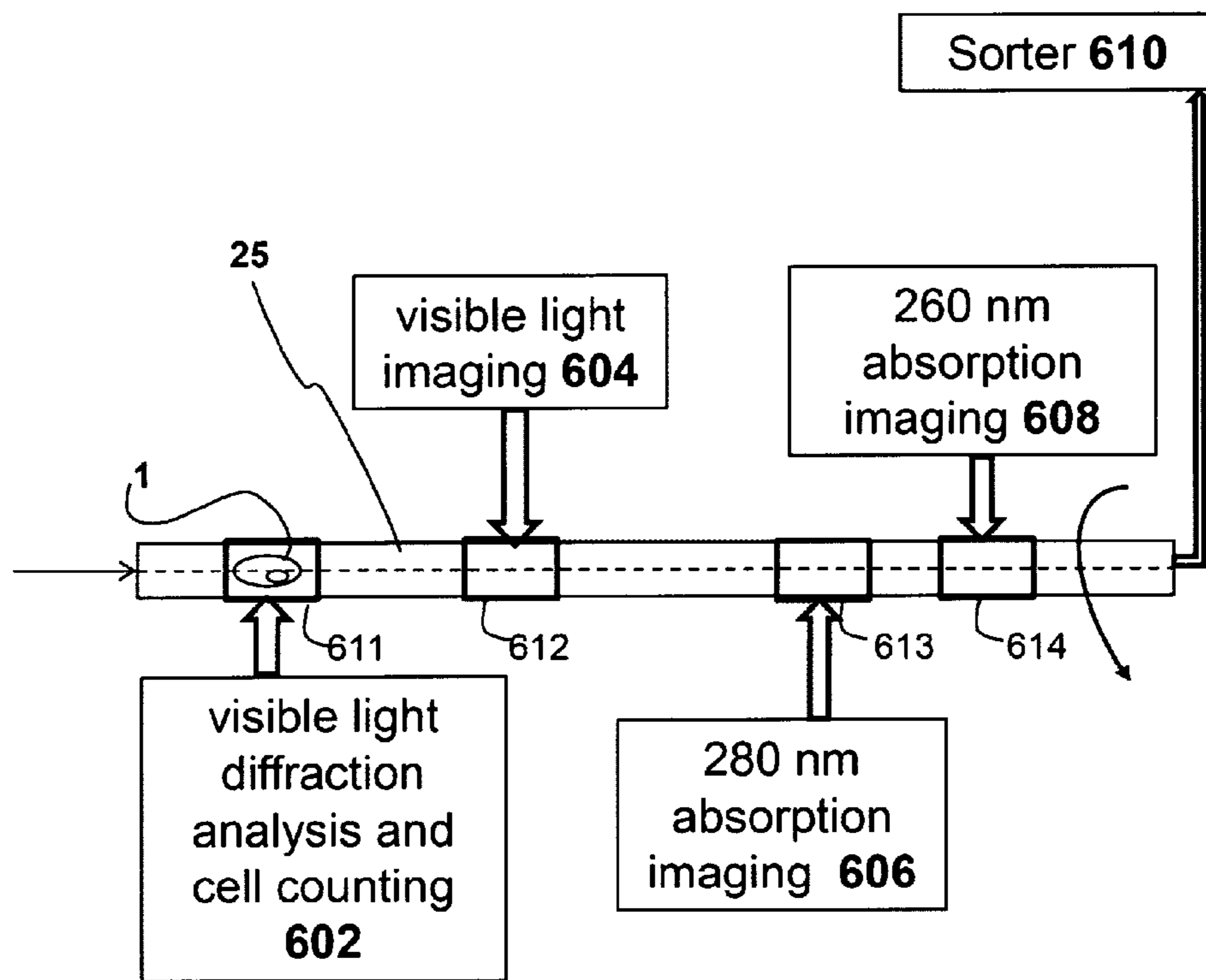


**FIG. 4**



**FIG. 5**





**FIG. 6**

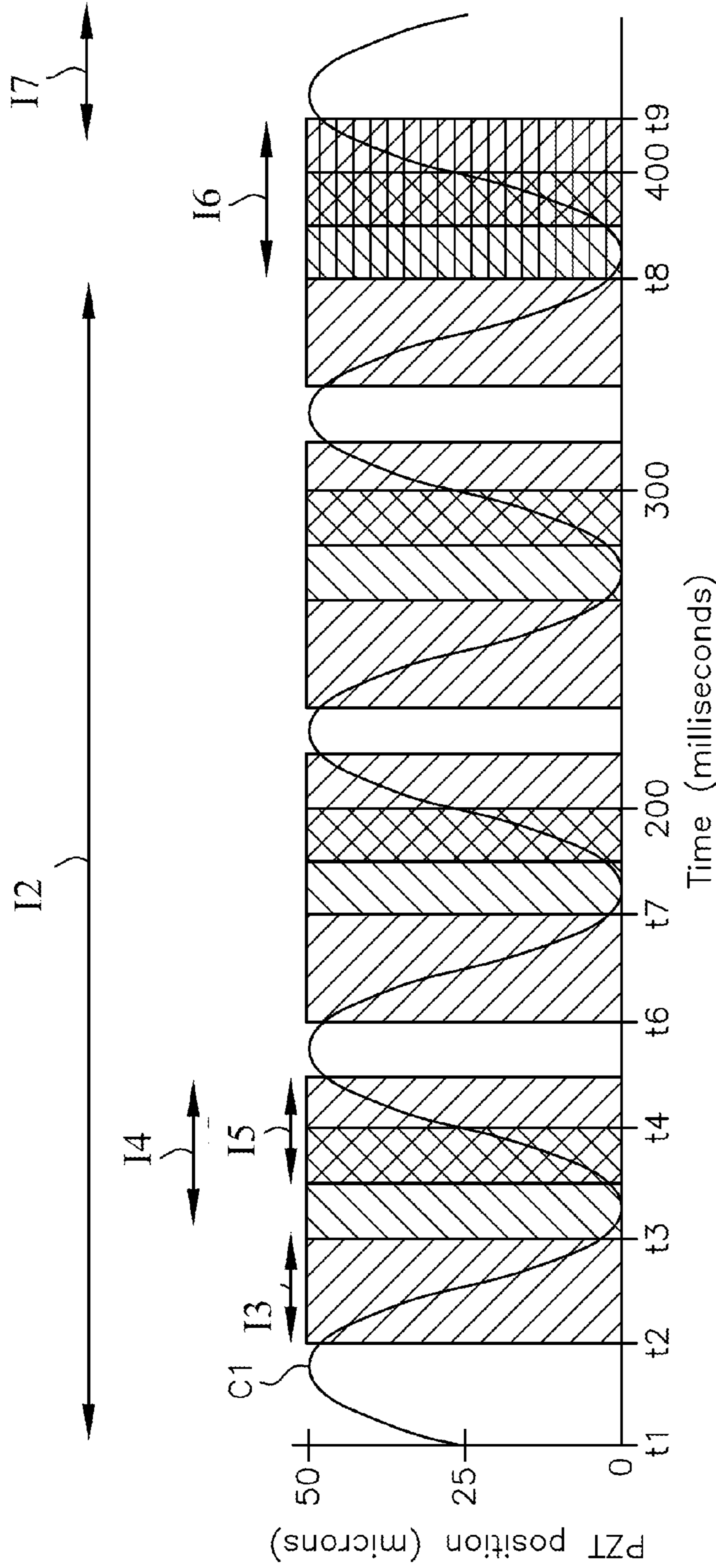
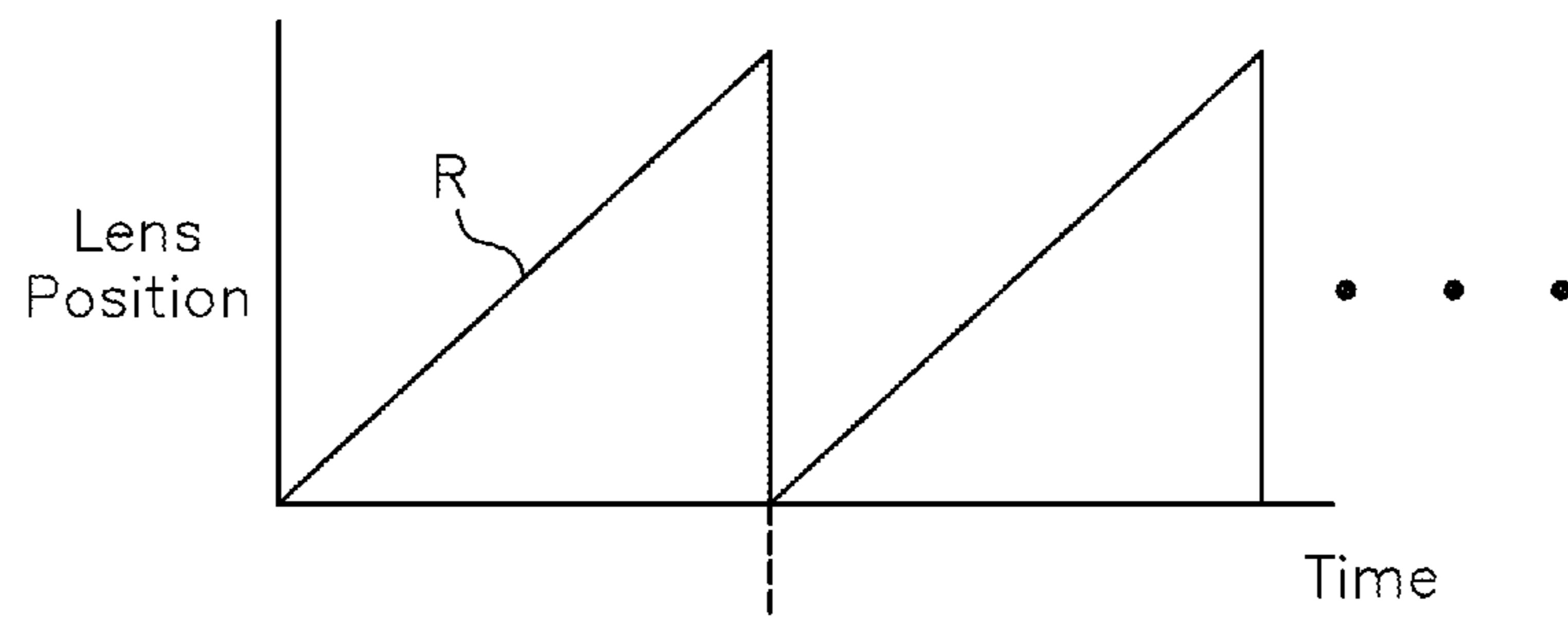
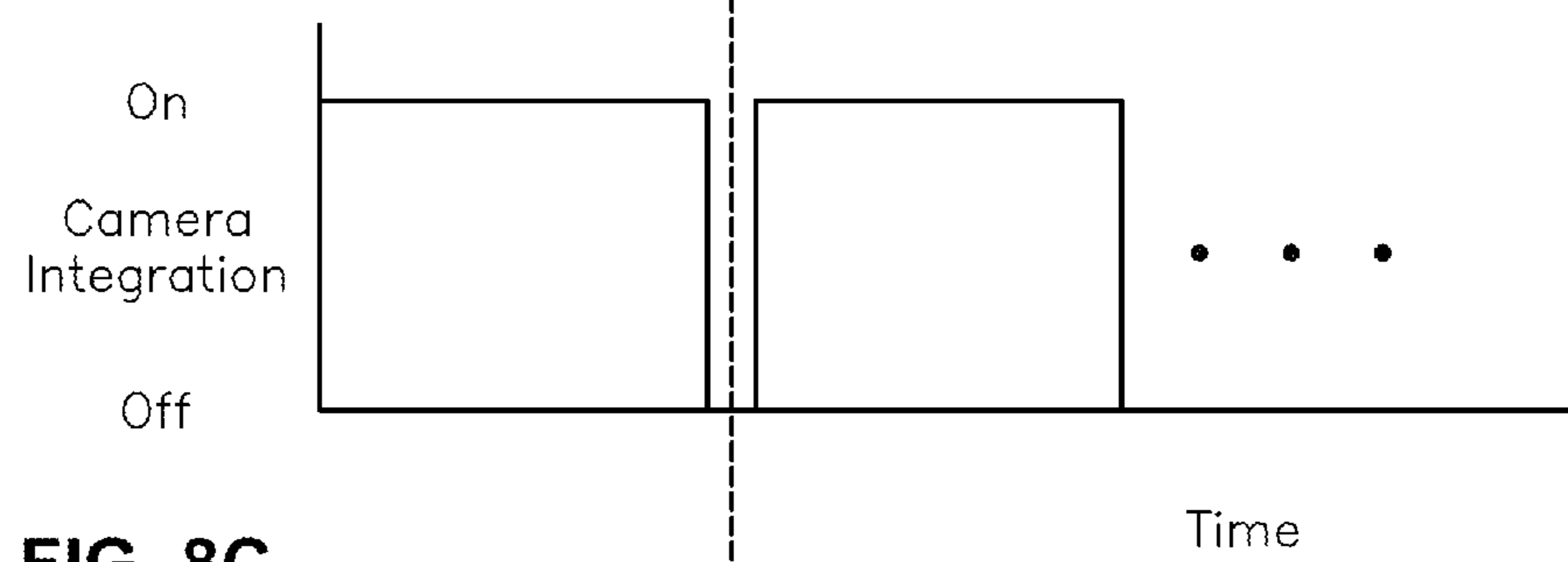


FIG. 7

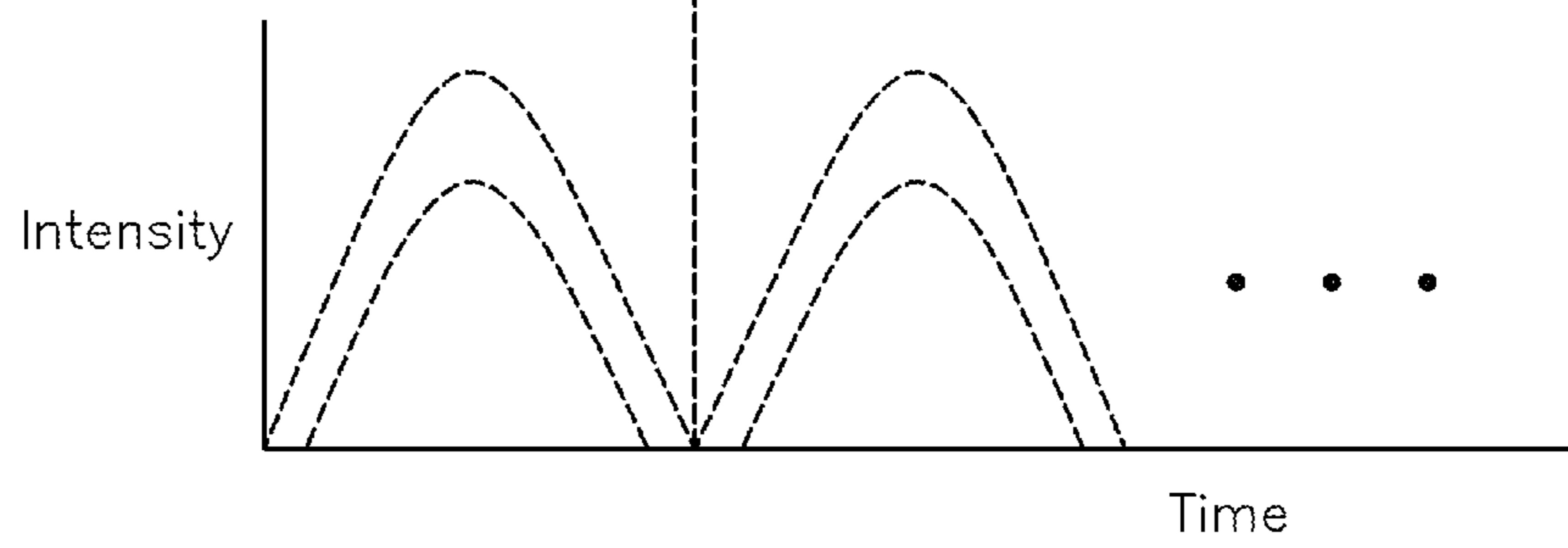
**FIG. 8A**



**FIG. 8B**



**FIG. 8C**



### 3D IMAGING OF LIVE CELLS WITH ULTRAVIOLET RADIATION

#### CROSS-REFERENCE TO RELATED APPLICATIONS

This application is a divisional of and claims priority from co-pending U.S. patent application Ser. No. 12/032,959, filed Feb. 18, 2008 to Seibel et al. and entitled "3D IMAGING OF LIVE CELLS WITH ULTRAVIOLET RADIATION," the entire contents of which is incorporated by reference.

#### TECHNICAL FIELD

The present invention relates to optical tomographic imaging systems in general, and, more particularly, to optical projection tomography for 3D microscopy, in which a small object, such as a biological cell, is illuminated with ultraviolet radiation for pseudoprojection imaging and reconstruction into a 3D image.

#### BACKGROUND

Advances in imaging biological cells using optical tomography have been developed by Nelson as disclosed, for example, in U.S. Pat. No. 6,522,775, issued Feb. 18, 2003, and entitled "Apparatus and method for imaging small objects in a flow stream using optical tomography," the full disclosure of which is incorporated by reference. Further developments in the field are taught in Fauver et al., U.S. Pat. No. 7,738,945 issued Jun. 15, 2010, entitled "Method and apparatus of shadowgram formation for optical tomography," (Fauver '945) and Fauver et al., U.S. Pat. No. 7,907,765 issued Mar. 15, 2011, entitled "Focal plane tracking for optical microtomography," the full disclosures of which are also incorporated by reference.

Processing in an optical tomography system begins with specimen preparation. Typically, specimens taken from a patient are received from a hospital or clinic and processed to remove non-diagnostic elements, fixed and then stained. Stained specimens are then mixed with an optical gel, inserted into a microcapillary tube and images of objects, such as cells, in the specimen are produced using an optical tomography system. The resultant images comprise a set of extended depth of field images from differing perspectives called "pseudoprojection images." The set of pseudoprojection images can be reconstructed using backprojection and filtering techniques to yield a 3D reconstruction of a cell of interest. The ability to have isometric or roughly equal resolution in all three dimensions is an advantage in 3D tomographic cell imaging, especially for quantitative image analysis.

The 3D reconstruction then remains available for analysis in order to enable the quantification and the determination of the location of structures, molecules or molecular probes of interest. An object such as a biological cell may be labeled with at least one stain or tagged molecular probe, and the measured amount and location of this biomarker may yield important information about the disease state of the cell, including, but not limited to, various cancers such as lung, breast, prostate, cervical, stomach and pancreatic cancers.

The present disclosure allows an extension of optical projection tomography to live cell imaging and is expected to advance cell analysis, drug development, personalized therapy, and related fields. Until now, live cell microscopy has

traditionally been done by non-labeling 2D imaging techniques such as phase contrast, DIC, and polarization contrast microscopy.

Native absorbance and fluorescence imaging using deep ultraviolet (DUV) at 250 nm to 290 nm wavelengths has been technically challenging and causes phototoxicity in irradiated cells. More recently, vital stains have been used that typically emit fluorescence signals for 3D live cell imaging, because commercial microscopes (of confocal, deconvolution, and multiphoton excitation varieties) rely on fluorescence for building up multiple planar slices for generating 3D images. However, in these cases, the 3D image resulting from a stack of 2D images has about four times less axial resolution as the lateral resolution within each slice, thereby making quantitative analysis imprecise. The ability to have isometric or roughly equal resolution in all three dimensions is a significant advantage in 3D tomographic cell imaging, especially for quantitative image analysis.

One advantage of using DUV illumination for live cells is that native DNA and protein absorb the light at 260 nm and 280 nm, respectively, without the use of any photochemical label that must permeate the cell membrane and sometimes the nuclear membrane of the cell, which is in a non-normal state. Furthermore, the label or stain is only an intermediary step toward the measurement of target protein or nucleotide (DNA) which adds a large degree of variability in this measurement. Elimination of such exogenous species would potentially improve the accuracy of a quantitative measure of protein or nucleotide (DNA), as well as reduce time, effort and complexity by eliminating steps in the sample preparation. Unfortunately, the use of DUV illumination has demonstrated phototoxicity in the past, due to the high dose of radiation required to stimulate a strong signal.

Recently, however, DUV imaging of live cultured human and mouse cells was demonstrated at 260 nm and 280 nm using DUV light-emitting diodes (LEDs) (See, for example, Zeskind, B J, et al., "P. Nucleic acid and protein mass mapping by live cell deep ultraviolet microscopy," *Nature Methods* 4(7):567-569 (2007)).

The present disclosure describes a new, novel and surprisingly effective 3D imaging system that provides solutions to long felt needs in the field of DUV 3D imaging of cells, and more particularly, live cells.

#### BRIEF SUMMARY OF THE DISCLOSURE

A method for 3D imaging of cells in an optical tomography system is provided including moving a biological object relatively to a microscope objective to present varying angles of view. The biological object is illuminated with optical radiation having a spectral bandwidth limited to wavelengths between 150 nm and 390 nm. Radiation transmitted through, scattered by, or secondarily emitted by the biological object and captured by the microscope objective is sensed with a camera to record images from a plurality of differing view angles. A plurality of pseudoprojection images of the biological object from the sensed radiation is formed and the plurality of pseudoprojections is reconstructed to form a 3D image of the cell.

#### BRIEF DESCRIPTION OF THE DRAWINGS

FIG. 1 schematically shows an example of a system for 3D imaging of cells in an optical tomography system employing ultraviolet radiation.

FIG. 2 schematically shows an alternate example of a system for 3D imaging of cells in an optical tomography system with ultraviolet radiation using a UV camera and optional adaptive optics.

FIG. 3 schematically shows an embodiment of a temperature-controlled housing for use in an optical tomography system.

FIG. 4 schematically shows a side view of an example of a microfluidics cartridge as used in a raceway configuration for imaging cells.

FIG. 5 schematically shows a top view of an example of a microfluidics cartridge as used in a racetrack configuration for imaging cells.

FIG. 6 schematically shows an optical tomography process including separate imaging stages along the same pathway.

FIG. 7 depicts an example illustration of one arrangement of the timing characteristics of one embodiment of the present invention, incorporating a lens system mounted on a piezoelectric translation device.

FIG. 8A and FIG. 8B show graphical representations of specimen motion and camera exposure for a system as contemplated by the present invention.

FIG. 8C graphically shows a function for scanning different focal planes in the specimen by varying the illumination intensity of the viewing subsystem as the objective is moved spatially with respect to the specimen.

In the drawings, identical reference numbers identify similar elements or components. The sizes and relative positions of elements in the drawings are not necessarily drawn to scale. For example, the shapes of various elements and angles are not drawn to scale, and some of these elements are arbitrarily enlarged and positioned to improve drawing legibility. Further, the particular shapes of the elements as drawn, are not intended to convey any information regarding the actual shape of the particular elements, and have been solely selected for ease of recognition in the drawings.

#### DETAILED DESCRIPTION OF THE PREFERRED EMBODIMENTS

The following disclosure describes several embodiments and systems for imaging an object of interest. Several features of methods and systems in accordance with example embodiments of the invention are set forth and described in the Figures. It will be appreciated that methods and systems in accordance with other example embodiments of the invention can include additional procedures or features different than those shown in Figures. Example embodiments are described herein with respect to biological cells. However, it will be understood that these examples are for the purpose of illustrating the principals of the invention, and that the invention is not so limited.

Additionally, methods and systems in accordance with several example embodiments of the invention may not include all of the features shown in these Figures. Throughout the Figures, like reference numbers refer to similar or identical components or procedures.

Unless the context requires otherwise, throughout the specification and claims which follow, the word “comprise” and variations thereof, such as, “comprises” and “comprising” are to be construed in an open, inclusive sense that is as “including, but not limited to.”

Reference throughout this specification to “one example” or “an example embodiment,” “one embodiment,” “an embodiment” or various combinations of these terms means that a particular feature, structure or characteristic described in connection with the embodiment is included in at least one

embodiment of the present disclosure. Thus, the appearances of the phrases “in one embodiment” or “in an embodiment” in various places throughout this specification are not necessarily all referring to the same embodiment. Furthermore, the particular features, structures, or characteristics may be combined in any suitable manner in one or more embodiments.

#### Definitions

Generally as used herein the following terms have the following meanings when used within the context of optical microscopy processes:

“Capillary tube” has its generally accepted meaning and is intended to include transparent microcapillary tubes and equivalent items with an inside diameter generally of 500 microns or less.

“Depth of field” is the length along the optical axis within which the focal plane may be shifted before an unacceptable image blur for a specified feature is produced.

“Object” means an individual cell, item, thing or other entity.

“Pseudoprojection” includes a single image representing a sampled volume of extent larger than the native depth of field of the optics. The concept of a pseudoprojection is taught in Fauver '945.

“Specimen” means a complete product obtained from a single test or procedure from an individual patient (e.g., sputum submitted for analysis, a biopsy, or a nasal swab). A specimen may be composed of one or more objects. The result of the specimen diagnosis becomes part of the case diagnosis.

“Sample” means a finished cellular preparation that is ready for analysis, including all or part of an aliquot or specimen.

With respect to imaging of live cells, several assumptions are made in this disclosure: (1) submicron isometric resolution is required of the chromatin structure in the nucleus which limits the wavelength of optical radiation to frequencies higher than infrared (less than or equal to near infrared wavelengths, <1000 nm), (2) individual cells are being imaged or possibly analyzed which may allow for diffraction measurement at multiple perspectives, and (3) harvesting of the cell after imaging is desired with minimal cell damage.

Referring now to FIG. 1 a system for 3D imaging of cells in an optical tomography system 11 employing ultraviolet radiation is schematically shown. A tube 22, such as a capillary tube, microcapillary tube or equivalent, is positioned to be viewed by a microscope 16 including a microscope objective 18 and a tube lens element 52. A rotation mechanism, for example, a rotary motor 20 is attached to the tube 22. An axial translation mechanism, for example motor 34, is coupled to the microscope objective. A radiation source 29 is positioned to illuminate a part of the tube 22 including a biological object 1 held therein. The radiation source 29 generates radiation having a spectral bandwidth limited to wavelengths between 150 nm and 390 nm. In one useful example, the radiation source 29 comprises multiple sources 30, 31 transmitting at least two selected wavelengths that are detected concurrently by a first light detector 10 and a second light detector 14. Optional filters 12A, 12B are selected to block fluorescence having a wavelength longer than the UV limited spectral bandwidth, such as native tryptophan fluorescence, and/or increase separation of differing ultraviolet radiation signals. The radiation source may advantageously be incorporated into a computer-controlled light source and condenser lens assembly 56. The computer-controlled light source and condenser lens assembly 56 may further include condenser lens optics 24, 26 a light diffuser 28 and the radiation source 29.

In one example embodiment, the tube **22** is placed in a viewing area between two optically flat surfaces such as a standard microscope slide **23A** and a standard microscope coverslip **23B**. The interstices between the tube **22** and the microscope slide **23A** and coverslip **23B** are filled with optical gel **32** or an equivalent material such as inorganic and organic oils, having an index of refraction that also substantially matches those of the tube **22**, and the microscope slide and coverslip. The tube **22** itself may advantageously be coated with an oil of similar optical properties. The outer diameter of the tube **22** may be, for example about 250 microns. Although not always shown in order to simplify the drawings for clarity, it will be understood that refractive index matching materials are used to match optics in the various embodiments described herein. A typical refraction index,  $n$ , matched to capillary tubing used in an optical tomography system is about 1.48, for example, at 590 nm, but the dispersion curve moves sharply upward in the UV. Estimated refractive index of fused silica capillary tube is 1.51 at 250 nm, and transmittance of DUV by UV grade fused silica is about 90%.

The biological object **1** may advantageously be selected from the group consisting of a cell, a live cell, a fixed cell, an unfixed cell, a frozen cell, a thawed cell, a desiccated cell, a cloned cell, a mobile cell, an immobilized cell, an encapsulated cell, a cell nucleus, cell parts, an organelle, a sub-cellular component, chromosomes, and equivalent materials. The optical tomographic imaging system **11** may advantageously employ illumination radiation having a frequency that stimulates native fluorescence from the biological object, where the light detectors and image processor further include modules for measuring the stimulated fluorescence. The biological object is contained in aqueous environment **2**. The aqueous environment **2** comprises physiological buffered saline or other solutions as described below.

A beamsplitter **15** is positioned to split radiation transmitted through the biological object into at least two selected wavelengths. The beamsplitter may advantageously be selected from the group consisting of a polarizing beam splitter, a Wollaston prism, a birefringent element, a half-silvered mirror, a 50/50 intensity beamsplitter, a dielectric optically coated mirror, a pellicle film, a dichroic beamsplitter, mirror, prism, diffractive optical element, grating, and equivalents. The first light detector **10** is positioned to sense radiation transmitted through the biological object **1**, the microscope objective **18**, the beamsplitter **15** and a first set of the optional filters **12A**. Similarly, the second light detector **14** is positioned to sense radiation transmitted through the biological object **1**, the microscope objective **18**, the beamsplitter **15** and a second set of the optional filters **12B**. In one example, the first and second light detectors **10**, **14** may each particularly include a pixel array detector sensitive to ultraviolet light, where each pixel array detector is selected to detect a different one of the two selected wavelengths.

A computer **41** includes an image processor **40** coupled to receive data from the first and second light detectors **10**, **14**. A reconstruction module **42** is coupled to the image processor **40**, where the reconstruction module processes the data to form a 3D image of the cell using reconstruction algorithm techniques such as taught in Fauver '945 for example. The image processor **40** transmits processed image data to the 3D image reconstruction module **42** which may advantageously be coupled to an optical display **44** for operator viewing. User interface **46** can be provided for operator control and information purposes. The user interface **46** may be a GUI interface or the like coupled to the computer **41**.

In one example, the axial translation mechanism **34** comprises a piezoelectric transducer or equivalent device. A con-

troller **35** linked to control the piezoelectric transducer may advantageously be a computer, computer module or the like, where the piezoelectric transducer is controlled to axially move the objective lens **18**.

In one example system, the optical tomographic imaging system **11** is configured through use of filters and radiation sources to image cells using wavelengths limited to between 240 nm and 300 nm. Radiation detected by the first detector **10** may have wavelengths primarily in a first range between 240 nm and 265 nm. Radiation detected by the second detector **14** may have wavelengths primarily in a second range between 280 nm and 285 nm. The first range operates to enhance natural radiation absorbance by DNA and RNA. The second range operates to enhance natural radiation absorbance by protein. The first and second wavelength ranges may be provided using a pair of radiation sources, each source transmitting one of the two selected wavelength ranges. One of the detectors may be tuned to detect absorbance around 270 nm near hydrophilic surfaces such as DNA and protein.

In one embodiment the radiation may be measured in time series using time to separate signals. The radiation source may be pulsed in a time series to cause pulsed excitation of the cells in order to increase signal to noise, separating signals. For example, a radiation source at 260 nm may be pulsed at a time,  $T_0$ , followed by a 280 nm pulse at  $T_1$ , followed in turn by one or more laser pulses at  $n$  subsequent time increments,  $T_n$ , where  $n$  is any number denoting a subsequent point in time.

Alternatively, the native tryptophan fluorescence can be measured to obtain a secondary measure of protein and its confirmation and constituents, such as amino acids. A third beam splitter would be required unless time series illumination is used. In this alternative design, beamsplitter **15** would split all DUV light (240-300 nm) to the DUV light detector **14** while the lower frequency fluorescence signal would be detected by a fluorescence light detector **10** (>300 nm). Operation of DUV light sources **30**, **31** can be in time-series so radiation absorbance primarily by nucleotides (260-265 nm) can be captured at time  $T_0$  while radiation absorbance primarily by amino acids (280-285 nm) can be captured at time  $T_1$  using the same detector **14**. Discussion of filters **12A**, **12B** is warranted in this example as the set before the fluorescence detector will be the standard long-pass fluorescence emission filters while the set before the DUV detector will be DUV band pass filters or short-pass fluorescence blocking filters.

In yet another example, laser light is incident at an oblique angle relative to the objective lens optical axis, blocking the unscattered light and allowing dark-field measurement of the scattering profile at higher scattering angles. One example of the use of laser scattering at visible wavelengths may be found in U.S. Pat. No. 6,741,730, issued May 25, 2004 to Rahn, entitled "Method and Apparatus for Three-Dimensional Imaging in the Fourier Domain," which is incorporated herein by reference.

In still another example, laser illumination parallel to the optical axis is used. A disk of absorbing material is located in the back focal plane of the objective. The diameter of the absorber is only large enough to block unscattered and very low-angle scattered light. The resulting annular aperture permits a dark-field measurement of the scattering profile at higher scattering angles.

In still another example, live stain, either absorbance or fluorescence, in standard bright-field transmission mode (removing diffraction analysis) or antibody/probe and nanoparticle is used in dark-field illumination mode for molecular specific labeling of proteins and/or DNA in the living cell.

In operation the image reconstruction module **42** determines a size of a voxel in the reconstructed 3D image. The reconstruction module **42** may further include a module constructed in accordance with known software engineering techniques for measuring a concentration of molecules absorbing the radiation by measuring the absorbance per voxel.

In one useful embodiment, the optical tomographic imaging system **11** lends itself nicely to DUV absorbance imaging. Using LEDs at 260 nm and 280 nm with bandwidths of 20 nm allows for simple and robust instrumentation without need for excitation filters. The condenser optics **56** may include, for example, a DUV condenser lens (for example, model UV-Kond, from Zeiss, Germany) and objective lens **18** may comprise a lens such as available from Zeiss, 100x, 1.25 NA, Ultrafluar, or a custom 265 nm objective lens, as available from Optics Technologies, Inc., Rochester, N.Y. To block the ambient and fluorescent light, filters **12A**, **12B** may include a band pass filter with a bandpass from 250 nm to 290 nm as available from Chroma Technology Corp. or Omega Optical, both of Brattleboro, Vt., before light reaches the UV sensitive CCD camera. Useful CCD cameras include CCD cameras from Sony Corporation of Japan, the PhotonMax model camera from Princeton Instruments, Trenton, N.J., or devices from Sarnoff Imaging, Princeton, N.J.

Live cell imaging often requires the specimen stage and glycerol, oil, or water-immersion objective lens to be temperature controlled. To convert from 2D DUV imaging to 3D Cell-CT DUV imaging, the materials must be UV transparent for the short transmission distances (path lengths) required for imaging isolated cells in a microcapillary tube of 50 microns in diameter. For example, the cell medium should be a physiological buffer solution that may have higher refractive index to help match to the cell plasma membrane. Additives to the aqueous solution may include, but are not limited to, polyethylene glycol (PEG), glycerol, modified or derivative PEGs, and agarose gel. When the cell medium cannot be well matched to the glass used for the microcapillary tube, then increasing the inner diameter may help reduce the degree of refraction at the inner tube wall. The refractive index should be able to be matched well with the outer tube wall since no biocompatibility needs to be addressed. However, materials that do not fluoresce within the wavelength range of signal 250 nm-290 nm should be considered when the rotational joint is being selected.

Referring now to FIG. 2 an alternate example of system for 3D imaging of cells in an optical tomography system with ultraviolet radiation using a UV camera and optional adaptive optics is schematically shown. The requirement for live cell imaging imposes a restriction on the types of aqueous and physiological buffer solutions and thus on the range of refractive index that can be used around the cell. This embedding medium surrounding the cell and within the tube is expected to have sufficient refractive index mismatch with standard dry or oil immersion microscope objectives to cause aberrations in the resulting images. Compensation for this index mismatch can be designed for a specified imaging depth or distance from objective lens to cell that contains physiological buffer. However, even low-order spherical aberration varies with the variation in axial depth, so dynamic compensation of optical wavefront distortion is advantageous for microscopic imaging across axial depths. This technique of dynamic distortion control or compensation is referred to as adaptive optics. The optical component used for such dynamic aberration compensation is often a spatial light modulator or a deformable membrane mirror. An adaptive reflection mirror is the preferred component in a DUV microscope due to the

non-optimal transmission properties of DUV light through sophisticated optical components.

A system for 3D imaging of cells **200** includes several components that are the same as or similar to those described above with respect to FIG. 1. As described above, a tube **22** is positioned relative to a microscope objective **18** for viewing an object of interest **1**. As described above, a microscope **16** includes an objective lens **18** and a tube lens element **52**. The microscope objective **18** is aligned along an optical axis **202**. In contrast to the system of FIG. 1, only a single ultraviolet (UV) camera **48** is used for acquiring images of the object of interest. The UV camera **48** is also aligned along the optical axis **202**. Interposed between the UV camera **48** and the tube lens element **52** is a fluorescence-blocking filter **50**. As above, the fluorescence blocking filter **50** is selected to block longer wavelength fluorescence and/or increase separation of differing ultraviolet radiation signals.

The aqueous environment **2** and object of interest **1** may cause a sufficiently large refractive index mismatch between microscope objective **18** and tube **22** and optical gel **32** or equivalent to necessitate the use of an adaptive mirror **54** with associated adaptive optics (AO) controller **201** to reduce depth-dependent image aberrations. This adaptive optics component can be an optional element located between the radiation source **29**, optical elements **27** and condenser lens **24**. Whether unpowered or energized at a constant wavefront compensation (2D) profile, the adaptive mirror **54** becomes a static 90-degree turn in the optical system that may compensate for a single depth level.

As described above, images from the UV camera **48** are transmitted to the image processor **40**. The image processor transmits processed image data to the 3D image reconstruction module **42** which may advantageously be coupled to the optical display **44** for operator viewing if desired. User interface **46** is provided for operator control and information purposes. The user interface **46** may be a GUI interface or the like.

Referring now to FIG. 3, an embodiment of a temperature-controlled housing for use in an optical tomography system is schematically shown. A temperature-controlled housing **300** contains an object of interest, such as a biological cell **1**, or other biological material, is contained in a tube, capillary tube, or microcapillary tube **22**, that is positioned relative to a microscope objective **18**. The microcapillary tube **22** is rotatable by a rotary motor **20** to allow controlled rotational motion **21** of the cells **1** within the microcapillary tube **22**. The cell **1** and gel **32** can be advanced within the capillary tube **22** along the horizontal axis by positive pressure applied, for example, by a syringe **80**. Another motor **34** controls vertical axial movement of the microscope objective **18**, and tube lens **52**. The microcapillary tube **22** is encased within optical gel or refractive index matching medium **32** and is part of and atop of the sample-condenser light assembly **56**.

A power amplifier **60** provides energy for the temperature controller **64** that responds to at least one sensor **74** and that may be further regulated with computer and electronic input **78** to maintain the desired temperature within specified ranges, such as 5 to 39 degrees C. However, to maintain functions approaching physiological levels, a warm-blooded animal cell such as a human requires tight temperature control, i.e. 36 degrees C. with range of +/-0.5 degrees C. Regulation of temperature as well as microfluidic conditions facilitates keeping cells alive (i.e. especially labile normal or abnormal cells, pre-cancerous, cancerous, viral infected; or other pathogenic cell populations). In one example, three sensors **74** are positioned near the microscope head **16** and above and below the microcapillary tube **22**. An optional

internal fan **68** for air circulation is present in some embodiments to aid in temperature control. Peltier thermoelectric heaters/coolers **70** may be positioned in throughout the system and may be positioned both above and below the microcapillary tube **22** provide thermal energy for fine temperature control. Additional locations for Peltier heaters/coolers **70** may be advantageous in specific embodiments. Alternatives to thermoelectric heater/coolers and fans are the options of temperature controlled water circulator or equivalents around a chamber that encloses the microscope. In some embodiments temperatures of about 35 degrees C. to about 36 degrees C. are used, in others higher or lower temperatures may facilitate study of specific biological processes or for use of specific reagents in living cells.

Having described the optical tomography system in detail above, a description of the operation of the system will now be presented in order to aid understanding of the disclosure. Biological objects **1**, such as living cells, are injected into the microcapillary tube **22** via the syringe device **80** where pressurized capillary flow **84** moves the biological objects **1** to a viewing window beneath the objective lens **18** of the microscope **16**. At least one radiation source **29** (e.g. DUV and visible light) is positioned to illuminate a part of the microcapillary tube **22** that includes the biological objects **1**. In some embodiments the radiation wavelengths of about 260 nm to about 280 nm are used. The radiation passes through the light diffuser **28** and condenser lens assembly **24, 26**, as part of the sample-condenser light assembly **56**. The integrated sensors **74**, temperature controller **64** and fan **68** maintain the temperature to maintain and increase cell viability. The system allows numerous variations to study living cells under defined and controlled conditions.

The optical tomography system described above and elsewhere uses temperature control and microfluidics to maintain suitable conditions such that any living biological material may be examined including, but not limited to, cells from humans, as well as cells from any other species. The cells, or other biological material, flow through one or more tubes (e.g. microcapillary tubes) to facilitate imaging. In some embodiments the microcapillary tube **22** comprises a straight tube of more than one channel. It is recognized that the optical tomography system may be used to harvest cells or sub-cellular material in certain embodiments.

In some embodiments the system senses radiation including imaging signals emanating from macromolecular complexes, nucleoprotein, DNA, RNA, or protein, comprised in living cells, or in some cases non-living cells, or fragments thereof. Cells comprising component DNA, RNA, and protein complexes may be treated with chemicals, biological agents, including, but not limited to biologically active molecules, nanoparticles, modified nanoparticles, microspheres, protein protocells, antibodies, biomarkers, cytokines, other nucleotides, other proteins, or alternately mechanically manipulated by micromanipulation or other treatments (e.g. transfection reagents, viruses, liposomes, and like agents) to alter or facilitate molecular uptake or affect other cellular processes during the imaging process. Biological or chemical agents may be labeled or modified with chromophores and fluorophores. Embodiments also use nanoparticles that are modified by labeling with gold, colloidal gold, iron, and iron oxide, and like molecules that have absorption, fluorescence, and scattering properties acting as optical contrast mechanisms in the 3D image or diffraction pattern. Use of nanoparticles and microspheres in addition to chromophores and fluorophores allows enhanced 3D contrast. For example, cells could be treated with agents that affect the cell cycle, cellular differentiation, infectivity, reduce or increase pathogenicity,

or the cells can be further manipulated to alter sub-cellular compartmentalization. The expression and display of cell surface biomarkers or chromatin or other cellular nucleoprotein or macromolecular complexes could be examined during all or some of these treatments.

In certain embodiments the living cells or other biological material are illuminated with multiple wavelengths of radiation. In such cases, a plurality of pseudoprojection images of the cell, or other biological material that are formed from the computer processing of input images may be processed using ratio imaging techniques. In some embodiments the ratio imaging includes images formed from radiation wavelengths of about 260 nm to about 280 nm.

Alternately, in some cases, live cell staining techniques including, but not limited to fluorescence and laser diffraction may be used to advantage for obtaining images.

Referring now to FIG. **4**, a side view of an example of a microfluidics cartridge **400** is schematically shown. A rotary motor **20** includes a shaft **121** coupled to turn a belt **188**, where a second end of the belt **188** is coupled to rotate a microcapillary tube **22**. The microfluidics cartridge operates with positive pressure and negative pressure to move the cells in a raceway with a secondary channel to supply nutrients and oxygen, remove metabolic waste, and allow drugs to interact with cells in physiological buffer (as best shown in FIG. **5**). A bearing or friction fit **92** allows the microcapillary tube **22** to rotate while an object, such as a cell, passes through the tube. A microscope **16** including condenser illumination assembly **56** is positioned proximate the cartridge to view the object along the optical axis of the microscope **16**.

Referring now to FIG. **5**, a top view of an example of a microfluidics cartridge as used in a racetrack configuration for imaging cells is schematically shown. The microfluidics cartridge **400** is coupled in a fluidic racetrack configuration **500**. The racetrack configuration includes an imaging area **116** along the optical axis of the objective lens including an optical window. Also included is an entrance valve **96**, an exit valve **124** and a first channel **502**. The first channel **502** is in fluid communication with a secondary channel **504**. The channels may be joined, for example, with a semi-permeable membrane **104**. The entire racetrack is maintained in a temperature controlled environment such described herein with respect to FIG. **3** using Peltier heater/cooler elements or equivalents.

Fresh nutrients, oxygen, buffer (pH, osmolarity, etc), optional drugs and the like as needed to maintain cell viability may be introduced through the secondary channel **504** as indicated by flow arrows **108**. However, if microfluidic conditions are right, then the cells won't move laterally, only axially through the first channel **502** while diffusion allows fresh nutrients such as O<sub>2</sub>, buffer materials and metabolic waste to move and thus mix along concentration gradients. In one example, the semi-permeable membrane **104** may be replaced by a joined channel with non-turbulent parallel flows allowing diffusion of small molecules and solutions while maintaining cells within their original streamlines of microfluidic flow. Shear stress within physiological range is possible with slow flow rates while channel geometry, fluid viscosity, temperature, and cell type also play a role.

In operation cells are injected through entrance valve **96** into the microfluidics cartridge **400**. A trough **100** serves as a housing for the rotation motor and belt used to rotate the microcapillary tube **22** while cells travel through the tube. Positive and negative pressure **120** is applied to control pressurized flow **84** throughout the racetrack. After imaging, an exit valve **124** can be used to direct selected cell **1** by flowing fluid into a discard channel or for harvesting the live cell.



## 11

The specimen being examined may be a biopsy from a fine needle aspirate (FNA). The resulting sample of live cells may be split into several different racetracks with separate entrance valves (not shown). Each sub-sample being examined may be exposed to different drugs (such as drug A, drug B, drug combination A+B, and control—no drug), and the response may be monitored as real-time feedback for the purpose of personalized drug response for the patient.

In one example, the racetrack configuration is useful as a research/drug discovery instrument. In operation, live cells may be circulated in the racetrack while imaging in 3D. Each live cell in the sample may be exposed to a chemical and environmental protocol and small changes in cellular response may be indicative of a desired cell type. Variations in apoptosis, mitosis, necrosis, secretion, and other programmed cell responses to stimuli can be measured at high sensitivity in real-time. When the live cells exhibit desired characteristics, the cells may be harvested. One such harvesting method is disclosed in co-pending U.S. Pat. No. 7,569,789 to Hayenga, issued Aug. 4, 2009 and entitled, “Cantilevered Coaxial Flow Injector Apparatus and Method for Sorting Particles,” the full disclosure of which is incorporated herein by reference.

In some alternative embodiments, labeled nanoparticles like antibody/DNA labeling of gold or nanospheres can be used with live cells to label specific proteins, chromatin, and DNA. For example, gold nanoparticles or colloidal gold have both absorption and scattering contrast and are biocompatible with living cells. Fluorescently-labeled nanospheres and microspheres can have absorption, fluorescence, and scattering as optical contrast mechanisms in the 3D image or diffraction pattern. Using nanoparticles in addition to chromophores and fluorophores will allow a third contrast enhancement, which is scattering. A means for imaging the scatter signal as high contrast on a “black” background or field is to illuminate with light that is incident at an angle of incidence beyond that of the imaging objective lens, so only the signal scatter is collected. The image is analogous to that of fluorescence imaging where the illumination photons are rejected from the final image. Live cell imaging in 2D using dark-field microscopy is being conducted at Duke University, see, for example, Curry, A., Hwang, W. L., and Wax, A. (2006), “Epi-illumination through the microscope objective applied to dark-field imaging and microspectroscopy of nanoparticle interaction with cells in culture,” *Optics Express* 14(14): 6535-6542.

Diffraction pattern measurement is a non-imaging technique that is complementary to the above imaging techniques which measure the spatial pattern in 3D of DNA, chromatin, proteins, and their specific labeling enhancements. Disease specific signatures of diffraction may be found at specific spatial frequencies, which are measured at specific scattering angles from the cell. Since the zero order light from the laser beam is orders of magnitude greater than the weakly scattered light from live cells, the technique of oblique illumination of the cell is proposed to greatly reduce this zero order light from reaching the optical detector or camera. This technique is similar to dark-field microscopy using nanoparticles as discussed above.

Examples of each of the techniques above may also be implemented as combinations using some general concepts described below. However, laboratory implementation will most likely be done as examples of the individual techniques for simplicity and lack of confounding variables during the development stage of live cell 3D imaging. Some examples of combining multiple imaging and measurement techniques are presented below.

## 12

Referring now to FIG. 6, an optical tomography process including separate imaging stages along the same pathway is shown. Separate imaging stages may be processed along the same pathway, such as a single microcapillary tube. For example, visible light diffraction analysis and cell counting **602** may be done at a first stage **611**, followed by visible light imaging **604** at a second stage **612**. In the case of imaging using live stains, 280 nm absorption imaging **606** may be conducted at a next stage **613**, followed by 260 nm absorption imaging **608** at a fourth stage **614**. For this example embodiment the cell should be aligned within the limited field of view at each stage as the cell continuously moves down a single rotating capillary tube. The 280 nm absorption imaging includes illuminating the object **1** with DUV light at a first wavelength in the range of about 275 nm to 285 nm. The 260 nm absorption imaging includes illuminating the object **1** DUV light at a second wavelength in the range of about 255 nm to 265 nm.

In another example, a single imaging stage that combines one or more image contrast mechanisms, such as absorption at wavelengths of 260 nm and 280 nm, measuring DUV absorption and native fluorescence, or measuring absorption at more than two visible wavelengths for one or more live stains. The components for combining optical imaging techniques can use multiple optical components for beam splitting and combining (dichroic or polarization beamsplitters) and possibly multiple cameras. Alternatively, a single camera and detection pathway can be used if the multiple excitation light sources are pulsed in time series or filter wheels or actual sources are physically moved or shuttered in time series. The single stage for imaging and measurement allow for stopped flow axial transport of the cells for precise alignment with the field of view.

Now referring to FIG. 7 an illustrative example of one set of possible timing characteristics for this embodiment is illustrated. The PZT-driven axial movement of the objective lens is depicted by a curve **C1**, which describes a sinusoidal wave with a period of 100 milliseconds (msec) and an amplitude of 25 microns. The time interval for a new perspective **I2** begins at time **t1=0**. The next stored image exposure interval **I3** occurs between **t2=33 msec** and **t3=67 msec**. and it is saved into computer memory. It will be observed that the exposure **I3** is synchronized with the objective lens movement such that the interval **I3** occurs while the focal plane position is moving at a roughly constant velocity from about 25 microns above the axial center of the specimen to about 25 microns below the axial center of the specimen. A time interval for a lateral translation **I4** begins immediately after the exposure interval **I3**, and extends until time **t4=97 msec**. Note that there is an exposure interval **I5**, which overlaps in time with the lateral translation interval **I4**; however, because it occurs while the field of view is changing, it is not saved to computer memory. The next saved exposure interval **I3** occurs between time **t6=133 msec** and time **t7=167 msec**. This series of operations continues until four projections, which cover the specimen’s full lateral extents, have been saved to memory. The fourth saved image exposure interval **I3** for this perspective **I2** ends at time **t8=367 msec**, and is followed by a rotation interval **I6**, an additional lateral translation interval **I4**, and an unsaved exposure interval **I5**. During the rotation interval **I6**, the specimen rotates about one of the lateral axes by an angle  $[\Delta][\theta]$ , for example 1 [deg.]. At time **t9=417 msec**, the rotation interval **I6** is complete and the time interval for a new perspective **I7** begins. This procedure is repeated until up to 180/  $[\Delta][\theta]$  rotation intervals **I6** are completed. A three-dimensional representation of the specimen can now be computed.

Now referring jointly to FIG. 8A and FIG. 8B, examples of graphical representations of the motion, and camera exposure for a system as contemplated by the present invention is shown. Waveform R shows a ramp function useful for driving the actuator to move an objective lens an axial distance of about 40 microns or more with respect to the specimen for each incremental rotation of the micro-capillary tube. This function is depicted as a linear ramp but may take the form of a sine wave, a ramp function with rounded transitions, or any other function (linear or nonlinear) to provide the desired weighting of focal plane information and the most predictable actuator motion. During a portion each period of the waveform R, the detector array is turned on for a single exposure as indicated by the "ON/OFF" function graphed in FIG. 8B. Thus, for each period of relative motion of the objective, a pseudo-projection image of the specimen is scanned onto the detector array in a continuous scan over a single exposure. Scanning is repeated for various views of the specimen as the micro-capillary tube is rotated. The pseudo-projection image thus formed is an integration of the range of focal planes images by the objective onto the detector array during each period of the scanning waveform R.

Referring now to FIG. 8C, there graphically shown is a function for scanning different focal planes in the specimen by varying the illumination intensity of the viewing subsystem as the objective is moved spatially with respect to the specimen. In this case, it is not necessary to alter the integration time for the detector array to compensate for the variations in the objective's axial speed. By varying the illumination intensity with respect to focal plane position, the range of focal planes averaged by the detector array with respect to the specimen can be controlled.

In yet another example, dark-field imaging of live-cell stain with nanoparticle scatterers may advantageously be combined with oblique illumination of the cell with a laser for diffraction pattern analysis. This technique may be run at higher speeds and may be an initial stage before the slower and subsequent 3D imaging stage if initial results warrant a detailed 3D image of a particular cell.

In operation, the system provides an optical tomography process including separate imaging stages along the same pathway. A plurality of biological objects is transported along a pathway 25 to the first stage 611. At least one object of the plurality of objects is illuminated with visible light at the first stage to produce a diffraction pattern and the diffraction pattern is sensed by a light sensor. Using a computer program or equivalent, the diffraction pattern is analyzed to produce a diffraction analysis. At the second stage 612 the at least one object 1 is illuminated with visible light and the visible light emanating from the at least one object is sensed to produce a first plurality of pseudoprojection images. At the third stage 613 the at least one object 1 is illuminated with DUV light at a first wavelength and the DUV light at a first wavelength emanating from the at least one object is sensed to produce a second plurality of pseudoprojection images. At the fourth stage the at least one object is illuminated with DUV light at a second wavelength that is sensed to produce a third plurality of pseudoprojection images. Based on features derived from the first, second and third pluralities of pseudoprojection images and the diffraction analysis a plurality of objects may be sorted or otherwise classified using a sorter 610. The sorter 610 may be any of many types of conventional classifiers, usually embodied in software residing in a computer such as a statistical sorter, adaptive classifier, neural network or equivalents.

The invention has been described herein in considerable detail in order to comply with the Patent Statutes and to

provide those skilled in the art with the information needed to apply the novel principles of the present invention, and to construct and use such exemplary and specialized components as are required. However, it is to be understood that the invention may be carried out by specifically different equipment, and devices, and that various modifications, both as to the equipment details and operating procedures, may be accomplished without departing from the true spirit and scope of the present invention.

What is claimed is:

1. A method for 3D imaging of a biological object in an optical tomography system comprising:
  - moving a biological object relative to a microscope objective to present varying angles of view;
  - illuminating the entire biological object;
  - axially scanning the entire biological object with the microscope objective at a fixed viewpoint through the thickness of the biological object where an axial scan is performed at each of said varying angles of view;
  - sensing a first radiation bandwidth transmitted through the entire biological object and the microscope objective with an ultraviolet camera during axially scanning, wherein the first radiation bandwidth has a first spectral range between 150 nm and 390 nm to produce a first plurality of pseudo-projection images of the specimen onto the ultraviolet camera;
  - sensing a second radiation bandwidth within a second spectral range which is also transmitted through the entire biological object and the microscope objective to the ultraviolet camera during axially scanning, wherein the second spectral range is also between 150 nm and 390 nm, but different than the first spectral range, to produce a second plurality of pseudo-projection images of the specimen onto the ultraviolet camera;
  - wherein each axial scan is performed during a single exposure of the ultraviolet camera, and wherein each pseudo-projection image thus formed includes an integration of a range of focal plane images; and
  - reconstructing the plurality of pseudoprojection images to form a reconstructed 3D image.
2. The method of claim 1 wherein the first and second spectral ranges have wavelengths further limited to between 240 nm and 300 nm.
3. The method of claim 1 wherein the first and second spectral ranges have wavelengths further limited to between 260 nm and 265 nm.
4. The method of claim 3 wherein the sensed radiation includes imaging signals emanating from DNA.
5. The method of claim 1 wherein the first and second spectral ranges have wavelengths further limited to between 280 nm and 285 nm.
6. The method of claim 5 wherein the sensed radiation includes imaging signals emanating from protein.
7. The method of claim 1 wherein the biological object is selected from the group consisting of a cell, cell parts, chromosomes, a live cell, a fixed cell, an unfixed cell, a frozen cell, a thawed cell, a desiccated cell, a cloned cell, a cell nucleus, an organelle, a mobile cell, an immobilized cell, deoxyribonucleic acid (DNA), and protein.
8. The method of claim 1 wherein the illumination stimulates native fluorescence from the biological object, further comprising measuring the stimulated fluorescence.
9. The method of claim 1 wherein a size of a voxel in the reconstructed 3D image is known, further comprising measuring a concentration of molecules absorbing the radiation by measuring the absorbance per voxel.

## 15

10. The method of claim 1 wherein the biological object is contained in aqueous environment.

11. The method of claim 10 wherein the aqueous environment comprises physiological buffered saline.

12. The method of claim 1 wherein the biological object comprises a live cell.

13. The method of claim 1 wherein the sensed radiation includes imaging signals emanating from hydrophilic surfaces.

14. The method of claim 1 wherein illuminating the entire biological object comprises illuminating with multiple wavelengths.

15. The method of claim 1 wherein forming the first and second plurality of pseudoprojection images of the cell comprises processing images using ratio imaging.

16. The method of claim 15 wherein the ratio imaging includes images formed from wavelengths ranging from 260 nm to 285 nm.

17. The method of claim 1 further comprising harvesting cells.

18. The method of claim 1 wherein the biological object is held in a microcapillary tube.

19. The method of claim 1 wherein the biological object is in a tube configured to recycle cells through an imaging chamber.

20. The method of claim 1 wherein the radiation comprises at least first and second wavelengths selected to enhance natural radiation absorbance by at least one of DNA and protein.

21. The method of claim 1 wherein illuminating the entire biological object comprises pulsing at least two selected wavelengths in time series.

22. The method of claim 21 wherein the at least two selected wavelengths that are pulsed in time series emanate from a beamsplitter.

23. The method of claim 1 comprising splitting radiation transmitted through the biological object into at least two selected wavelengths.

24. The method of claim 23 further comprising sensing the at least two selected wavelengths using an ultraviolet camera having a first light detector sensitive to a first wavelength and a second light detector sensitive to a second wavelength.

25. The method of claim 24 wherein splitting radiation comprises directing the radiation through a beamsplitter.

26. The method of claim 25 wherein the beamsplitter is selected from the group consisting of a polarizing beam splitter, a Wollaston prism, a birefringent element, a half-silvered mirror, a 50/50 intensity beamsplitter, a dielectric optically coated mirror, a pellicle film and a dichroic mirrored prism.

27. The method of claim 1 further comprising positioning an adaptive mirror to direct the radiation to the microscope objective.

28. The method of claim 27 further comprising reducing depth-dependent image aberrations by controlling the adaptive mirror with an adaptive optics controller.

29. The method of claim 27 wherein the adaptive mirror is selected from the group consisting of an unpowered adaptive mirror and an adaptive mirror energized at a constant wavefront compensation profile.

30. An optical tomography system for acquiring 3D images comprising:

a transport mechanism for moving a biological object relative to a microscope objective to present varying angles of view;

at least one optical illumination source for illuminating the entire biological object;

## 16

a microscope objective lens having a depth of field, the objective lens being located to receive light emanating through the object;

an axial translation mechanism coupled to translate the microscope objective lens for axially scanning the entire biological object with the microscope objective lens at a fixed viewpoint through the thickness of the biological object where an axial scan is performed at each of said varying angles of view;

at least one ultraviolet camera for sensing a first radiation bandwidth transmitted through the entire biological object and the microscope objective lens during axially scanning, wherein the first radiation bandwidth has a first spectral range between 150 nm and 390 nm to produce a first plurality of pseudo-projection images of the specimen onto the ultraviolet camera, and for sensing a second radiation bandwidth within a second spectral range which is also transmitted through the entire biological object and the microscope objective to the ultraviolet camera during axially scanning, wherein the second spectral range is also between 150 nm and 390 nm, but different than the first spectral range, to produce a second plurality of pseudo-projection images of the specimen onto the ultraviolet camera;

wherein each axial scan is performed during a single exposure of the ultraviolet camera, and wherein each pseudo-projection image thus formed includes an integration of a range of focal plane images;

an image processor coupled to receive data from the at least one ultraviolet camera; and

a reconstruction module coupled to the image processor for reconstructing the plurality of pseudoprojection images to form a reconstructed 3D image.

31. The system of claim 30 wherein the axial translation mechanism comprises a piezoelectric transducer.

32. The system of claim 31 wherein a computer is linked to control the piezoelectric transducer, where the piezoelectric transducer axially moves the microscope objective lens so as to extend the depth of field of the microscope objective lens.

33. The system of claim 30 wherein the at least one optical illumination source comprises a computer-controlled light source and condenser lens assembly.

34. The system of claim 30 wherein the transport mechanism comprises a microcapillary tube.

35. The system of claim 30 wherein the first and second spectral ranges have wavelengths further limited to between 240 nm and 300 nm.

36. The system of claim 30 wherein the first and second spectral ranges have wavelengths further limited to between 260 nm and 265 nm.

37. The system of claim 30 wherein the first and second spectral ranges have wavelengths further limited to between 280 nm and 285 nm.

38. The system of claim 30 wherein the biological object is selected from the group consisting of a cell, cell parts, chromosomes, a live cell, a fixed cell, an unfixed cell, a frozen cell, a thawed cell, a desiccated cell, a cloned cell, a cell nucleus, an organelle, a mobile cell, an immobilized cell, DNA, and protein.

39. The system of claim 30, wherein illumination from the at least one optical illumination source stimulates native fluorescence from the biological object.

40. The system of claim 30, wherein a size of a voxel in the reconstructed 3D image is known, further comprising means for measuring a concentration of molecules absorbing the radiation by measuring the absorbance per voxel.

41. The system of claim 30 wherein the transport mechanism contains a specimen including a biological object in an aqueous environment.

42. The system of claim 41 wherein the aqueous environment comprises physiological buffered saline.

43. The system of claim 41 wherein the biological object comprises a live cell.

44. The system of claim 30 wherein the at least one ultraviolet camera senses radiation including imaging signals emanating from DNA.

45. The system of claim 30 wherein the at least one ultraviolet camera senses radiation including imaging signals emanating from protein.

46. The method of claim 30 wherein the at least one ultraviolet camera senses radiation including imaging signals emanating from hydrophilic surfaces.

47. The system of claim 30 wherein the at least one optical illumination source generates light having multiple wavelengths.

48. The system of claim 30 wherein the reconstruction module includes a ratio imaging process.

49. The system of claim 48 wherein the ratio imaging process includes images formed from wavelengths ranging from 260 nm to 280 nm.

50. The system of claim 30 wherein the transport mechanism comprises a straight tube of more than one channel.

51. The system of claim 30 wherein the at least one ultraviolet camera comprises an ultraviolet pixel array detector.

52. The system of claim 30 wherein the first and second spectral ranges are limited to wavelengths selected to enhance natural radiation absorbance by protein.

53. The system of claim 30 wherein the at least one optical illumination source comprises multiple sources transmitting at least two selected wavelengths.

54. The system of claim 30 wherein the transport mechanism is adapted to hold a specimen including a biological

object selected from the group consisting of cells, cell parts, chromosomes, a live cell, a fixed cell, an unfixed cell, a frozen cell, a thawed cell, a desiccated cell, a cloned cell, a cell nucleus, an organelle, DNA, and protein.

55. The system of claim 30 wherein the first and second spectral ranges are selected to enhance natural radiation absorbance by DNA.

56. The system of claim 55, wherein the at least one ultraviolet camera has a first light detector and a second light detector, further comprising a beamsplitter positioned to split radiation transmitted through the biological object into at least two selected wavelengths that are separately transmitted to the first light detector and the second light detector.

57. The system of claim 56 further wherein the first light detector comprises a CCD sensor.

58. The system of claim 56 wherein the first light detector is sensitive to radiation having a wavelength matching the natural absorbance of human DNA.

59. The system of claim 56 wherein the second light detector is sensitive to radiation having a wavelength matching the natural absorbance of protein.

60. The system of claim 56 wherein the first light detector is sensitive to radiation having a wavelength that includes imaging signals emanating from hydrophilic surfaces.

61. The system of claim 55 wherein the beamsplitter is selected from the group consisting of a polarizing beam splitter, a Wollaston prism, a birefringent element, a half-silvered mirror, a 50/50 intensity beamsplitter, a dielectric optically coated mirror, a pellicle film and a dichroic mirrored prism.

62. The system of claim 30 further comprising at least one filter interposed between the at least one ultraviolet camera and radiation transmitted through the biological object.

63. The system of claim 30 wherein the at least one optical illumination source comprises a set of UV light sources generating different wavelengths.

\* \* \* \* \*